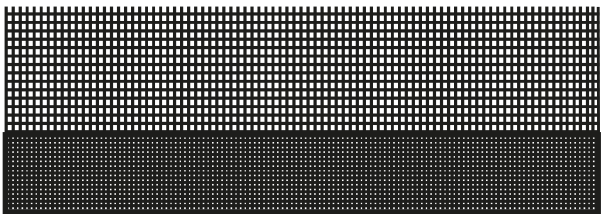
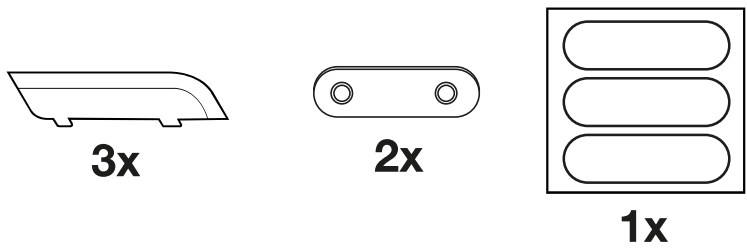
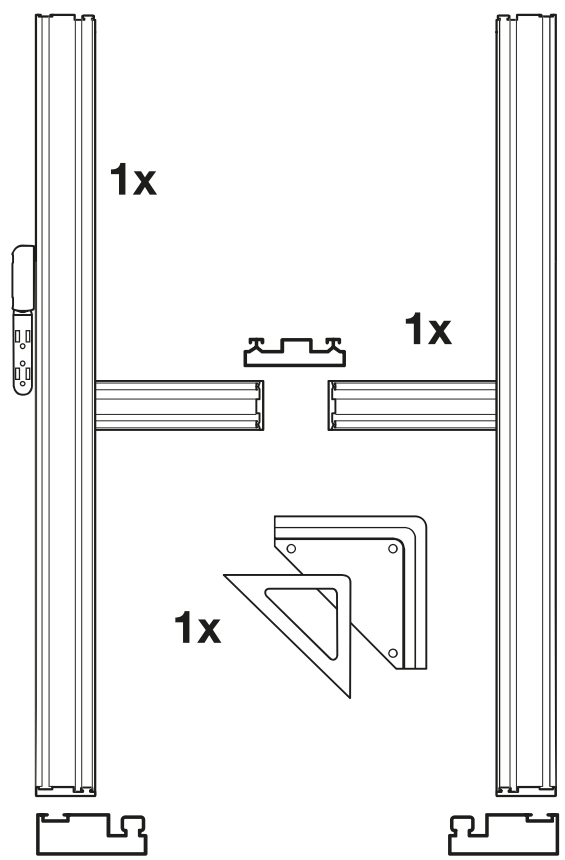
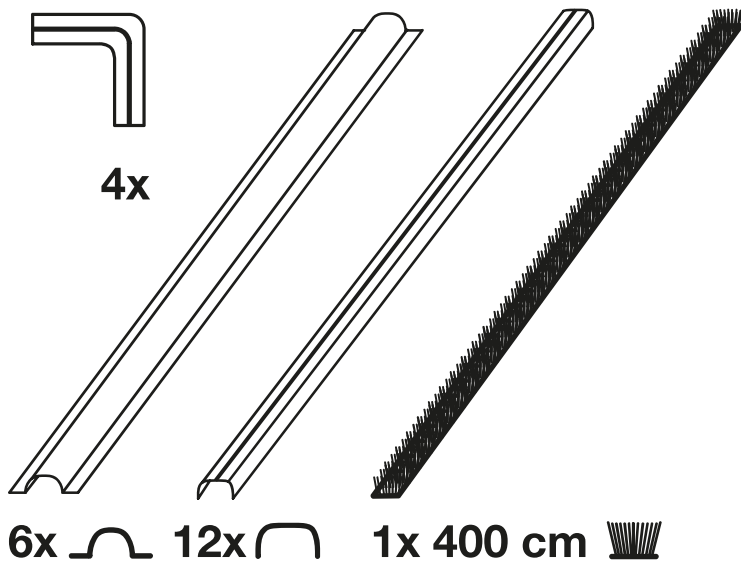
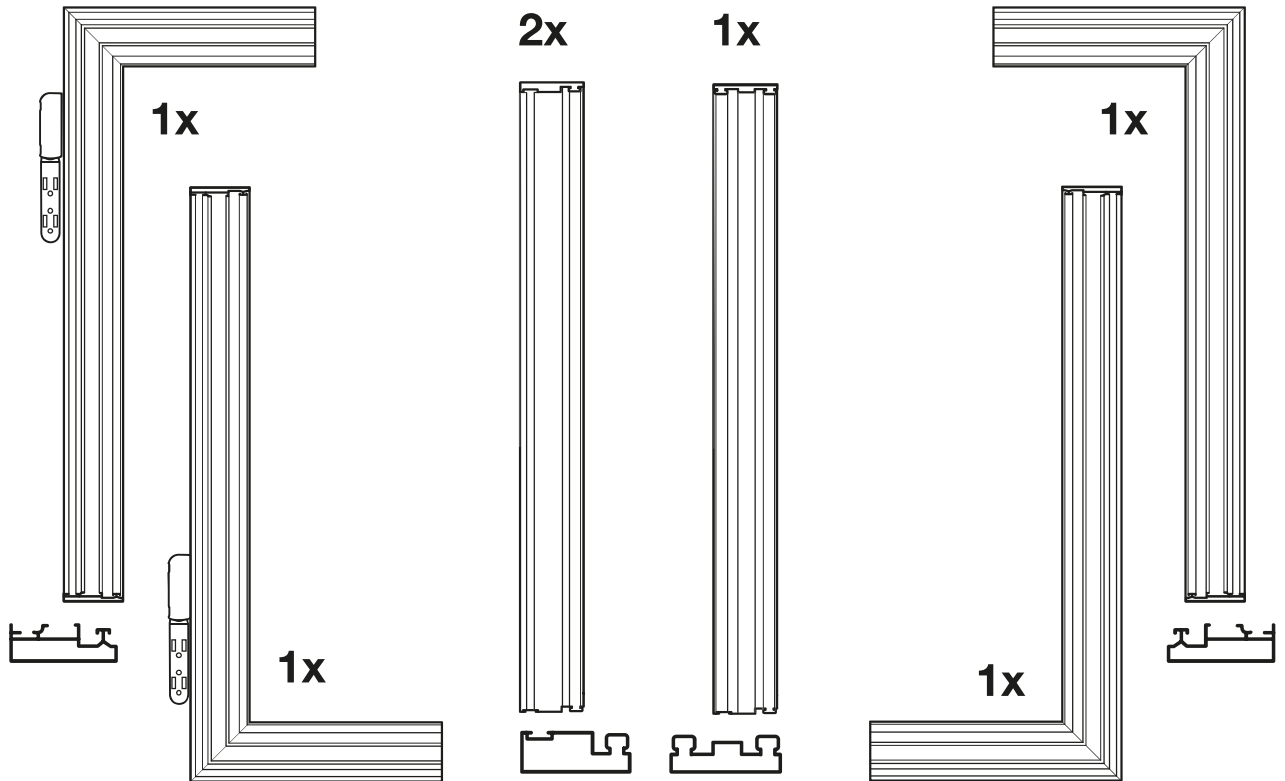
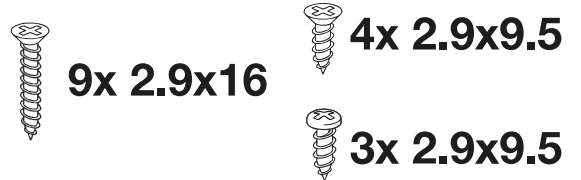


100cm x 220cm / 120cm x 240cm

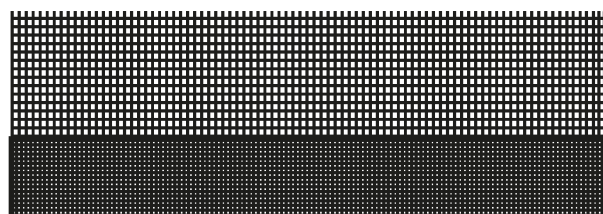
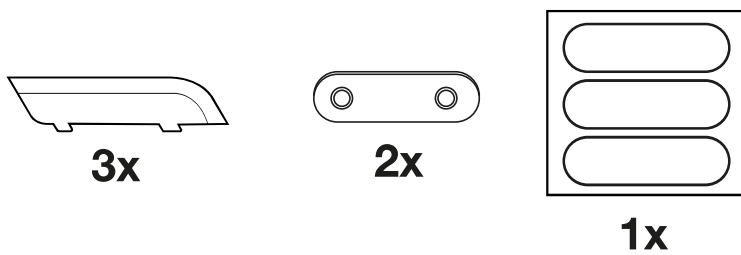
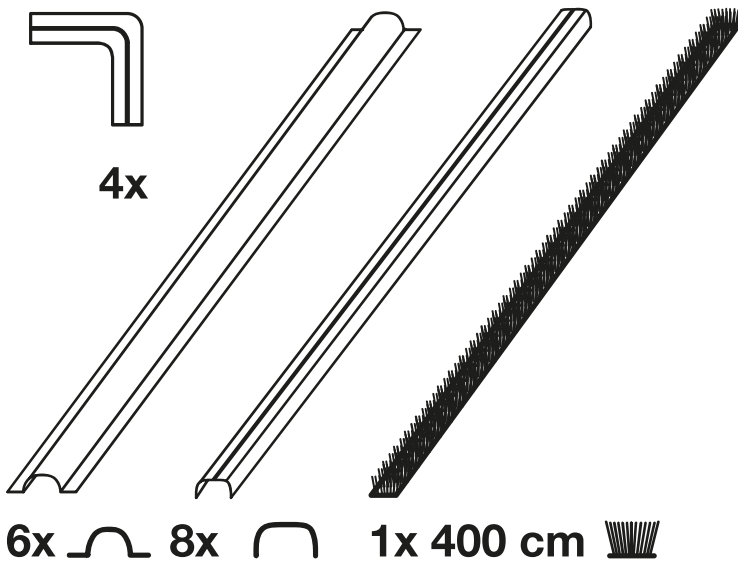
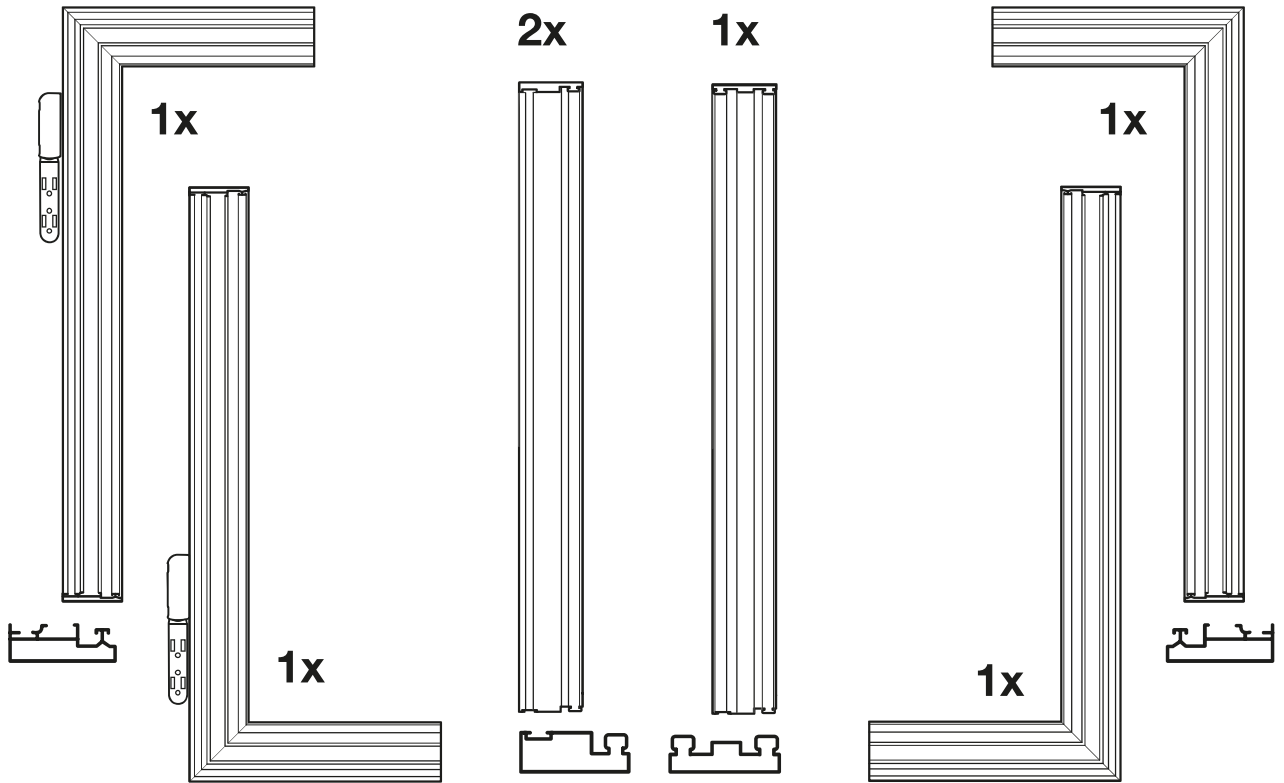
100cm x 220cm



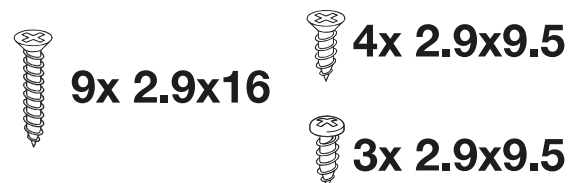
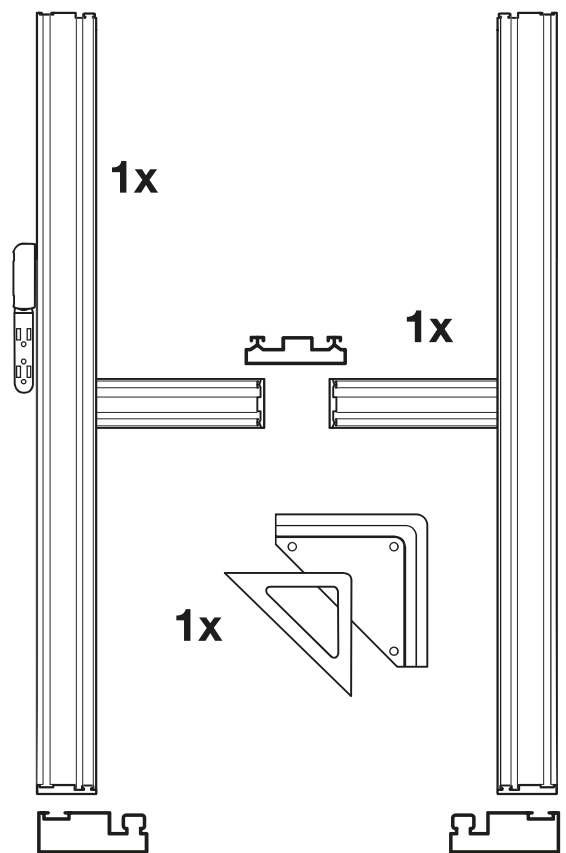
1x 100 x 220 cm



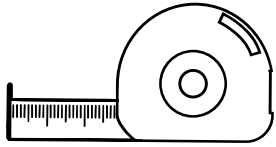
120cm x 240cm



1x 120 x 245 cm

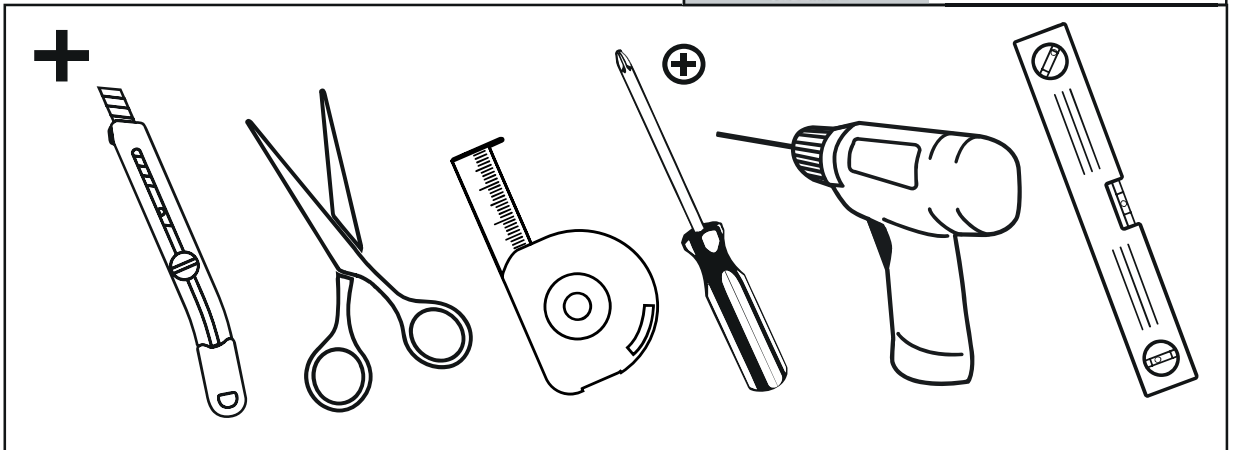
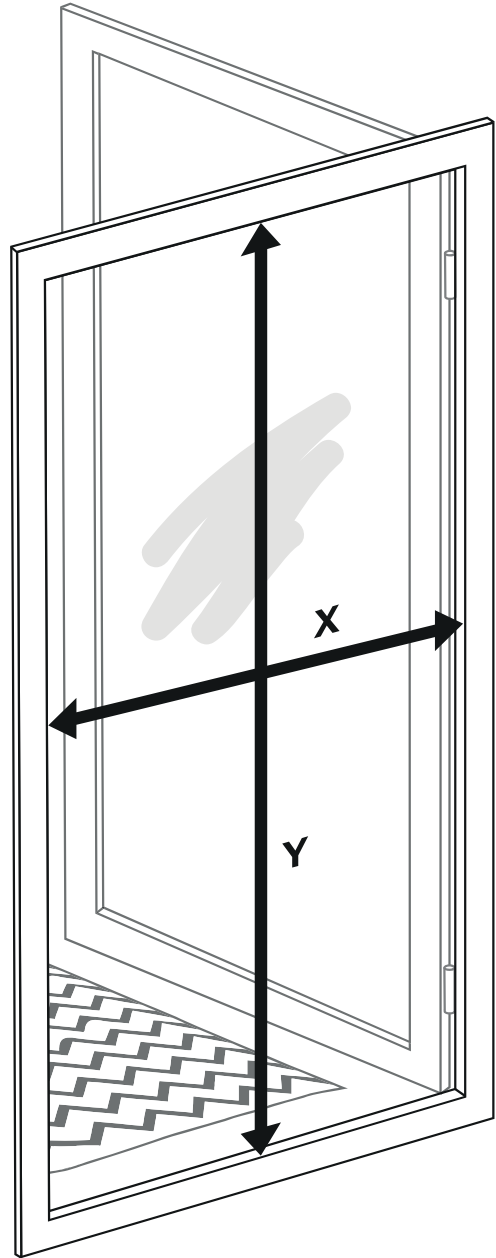


1

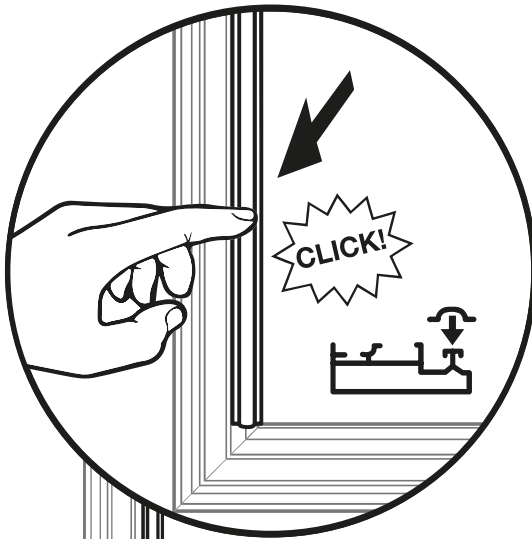
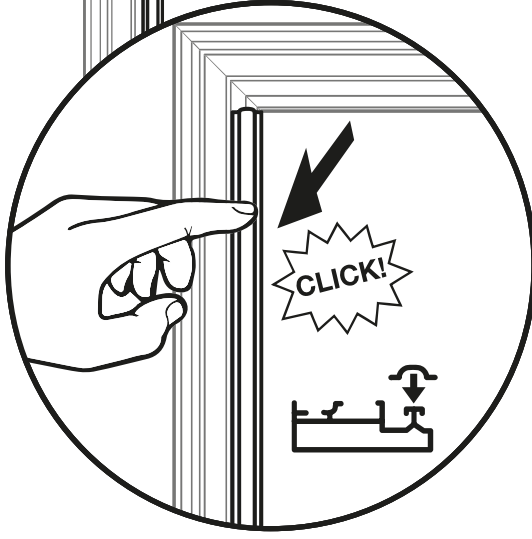
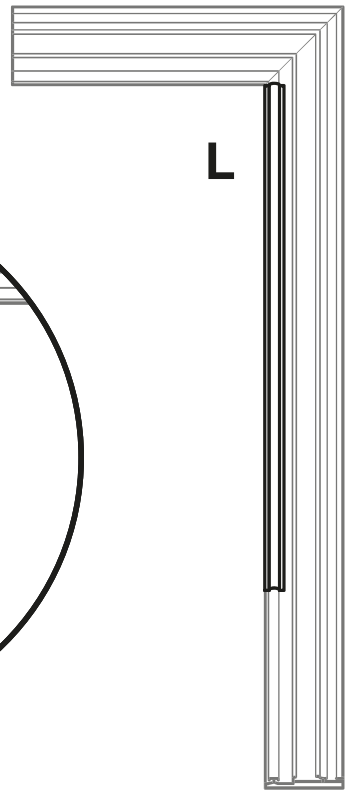
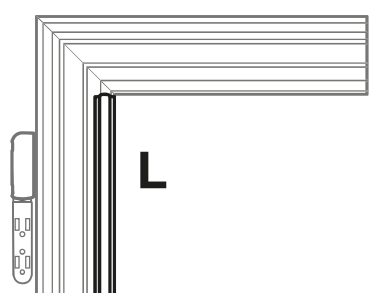
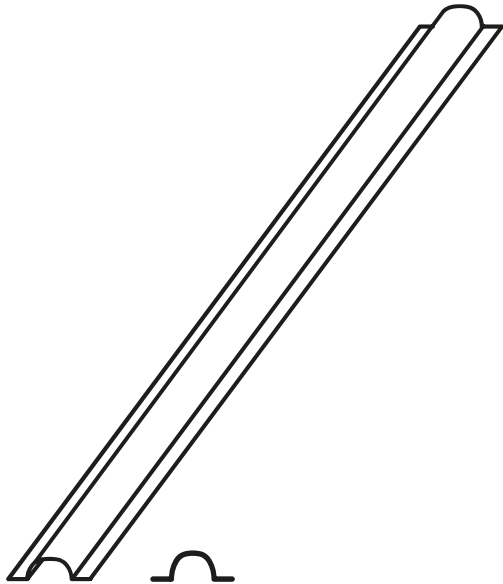


X = _____ mm

Y = _____ mm



2



100 x 220

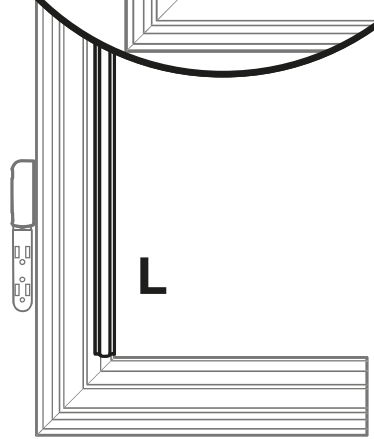
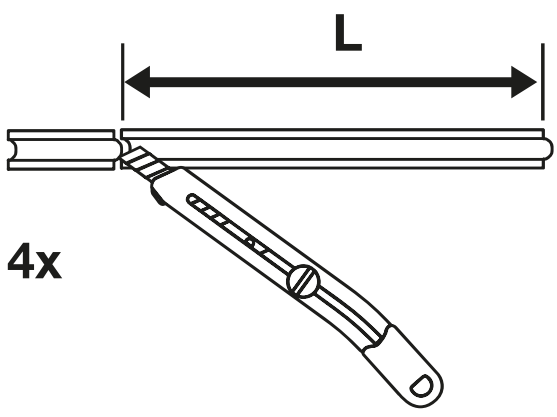
Y = _____ mm

$L = \frac{Y}{2} - 480 =$ _____ mm

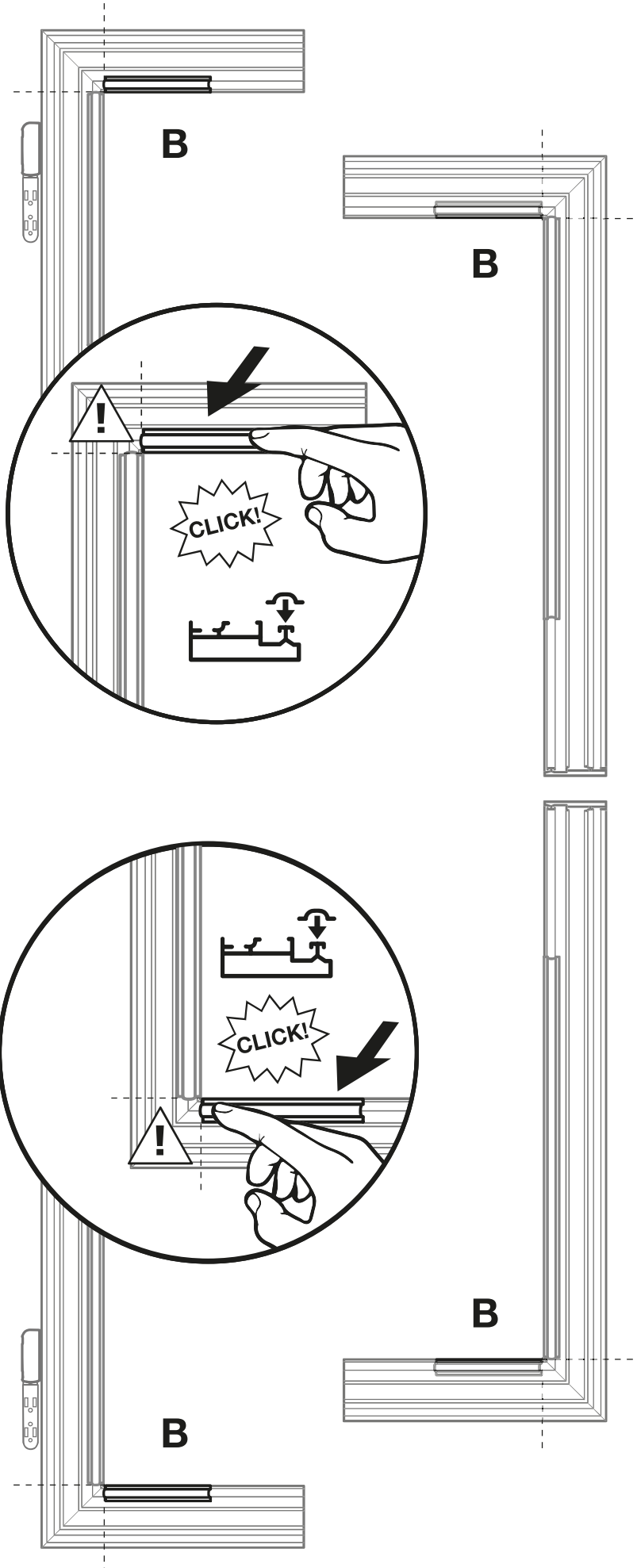
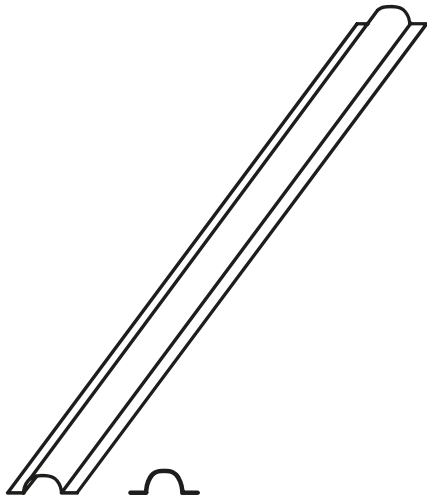
120 x 240

Y = _____ mm

$L = \frac{Y}{2} - 580 =$ _____ mm



3



100 x 220

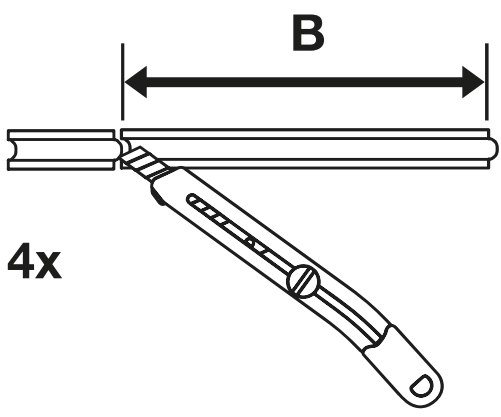
X = _____ mm

$B = \frac{X}{2} - 360 =$ _____ mm

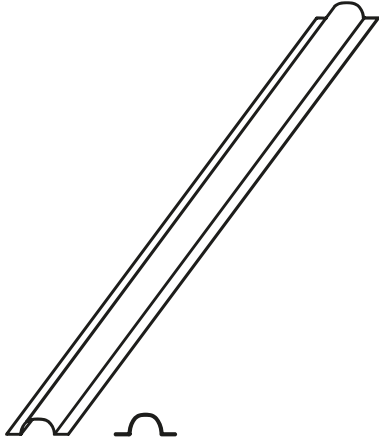
120 x 240

X = _____ mm

$B = \frac{X}{2} - 460 =$ _____ mm



4



100 x 220

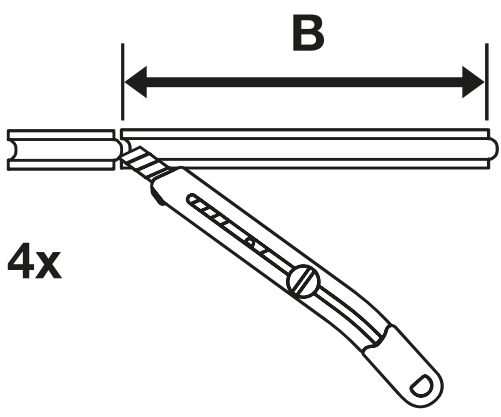
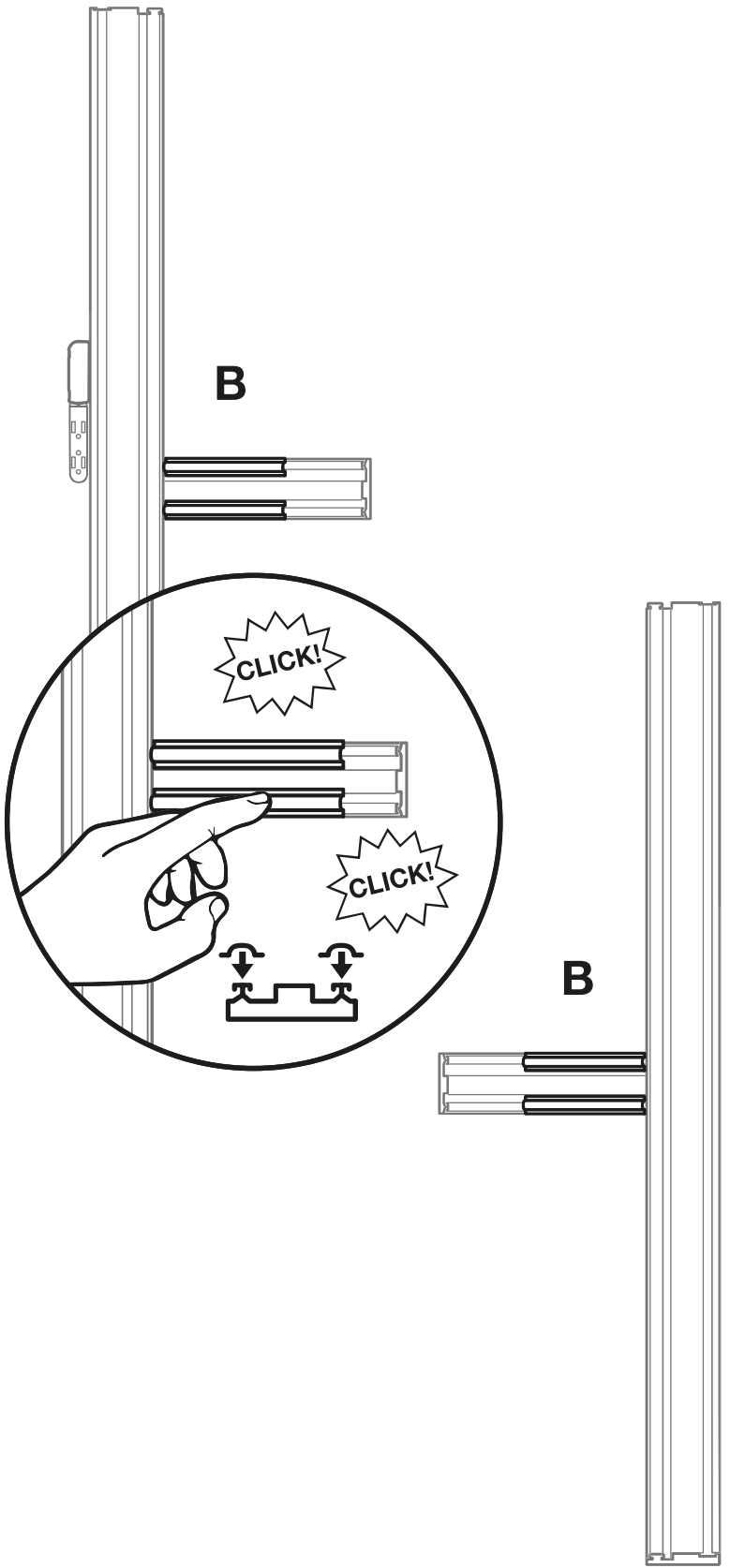
X = _____ mm

$B = \frac{X}{2} - 360 =$ _____ mm

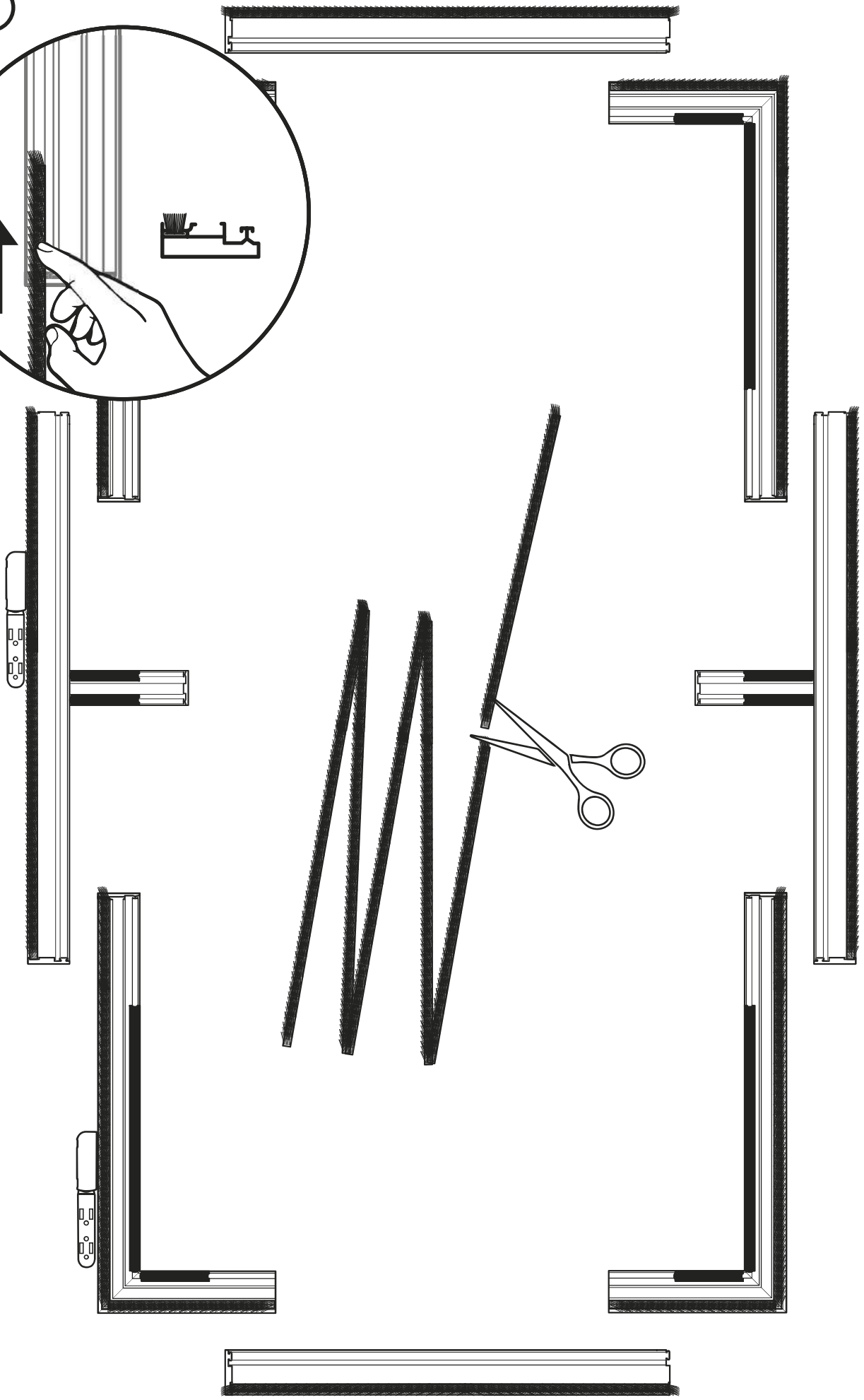
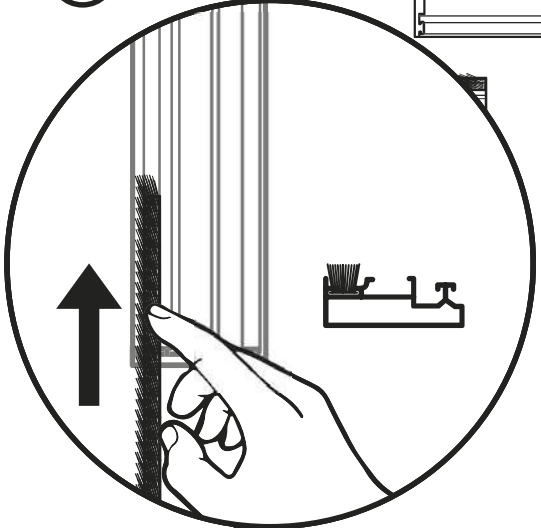
120 x 240

X = _____ mm

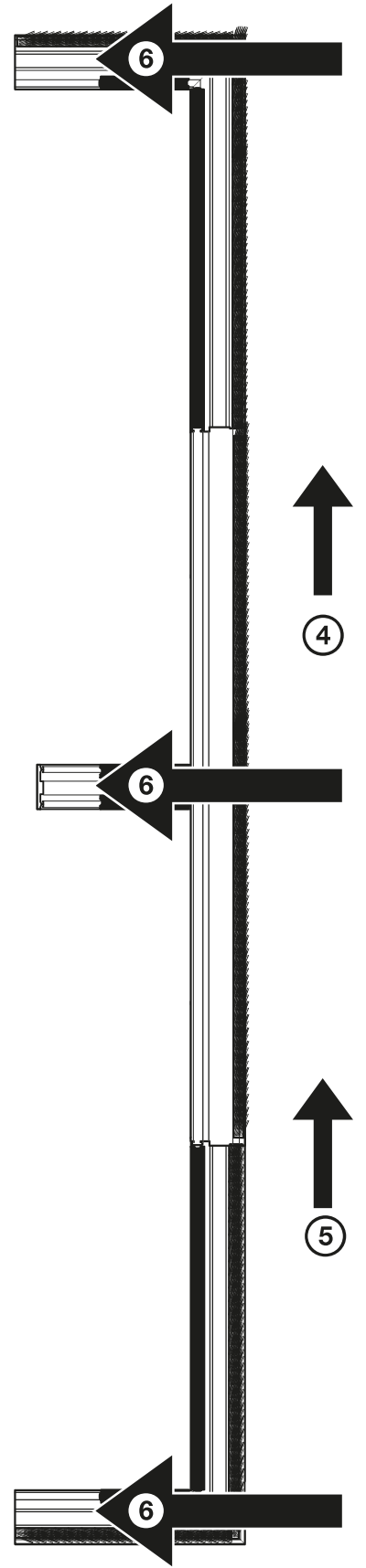
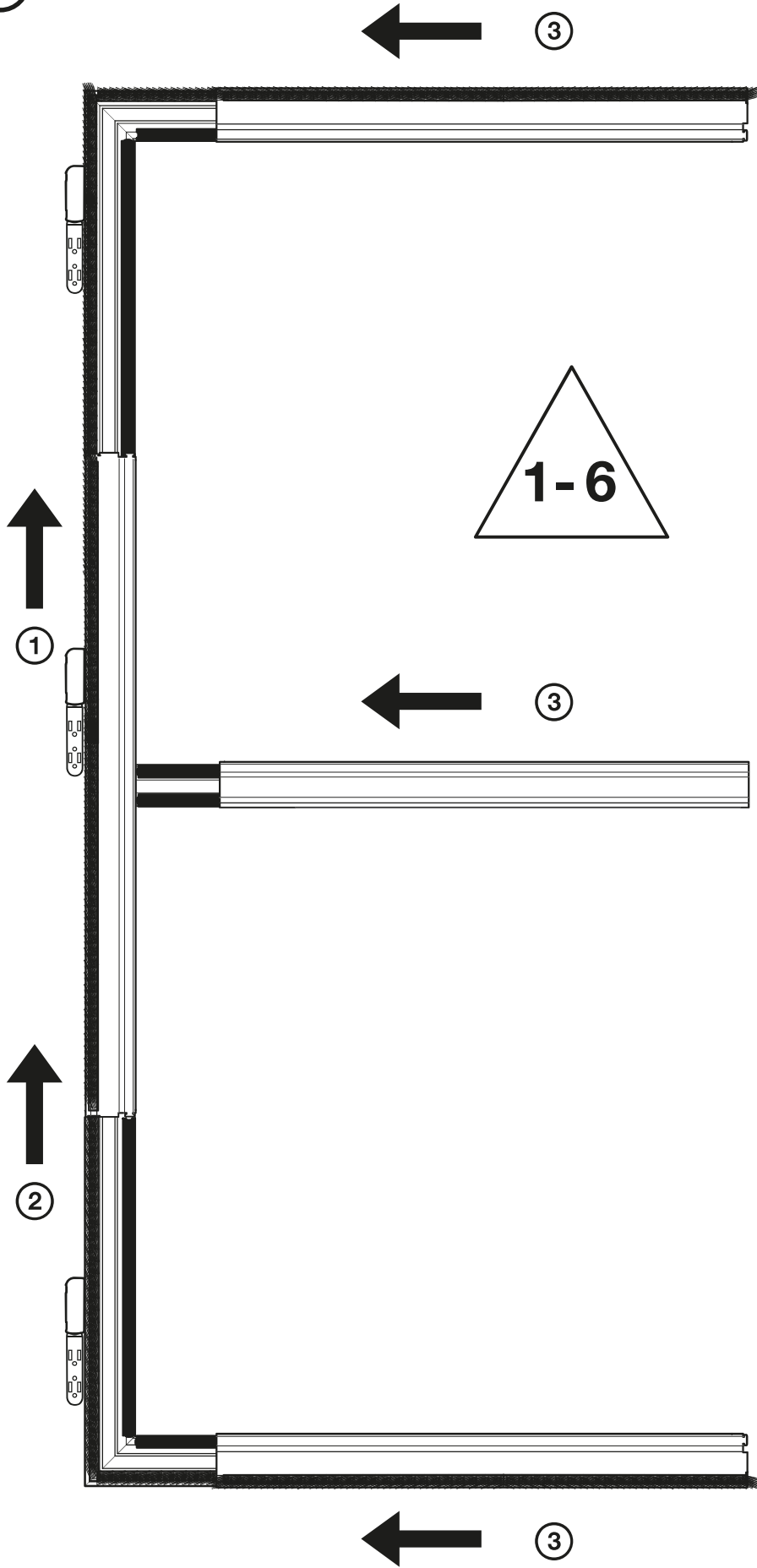
$B = \frac{X}{2} - 460 =$ _____ mm



5

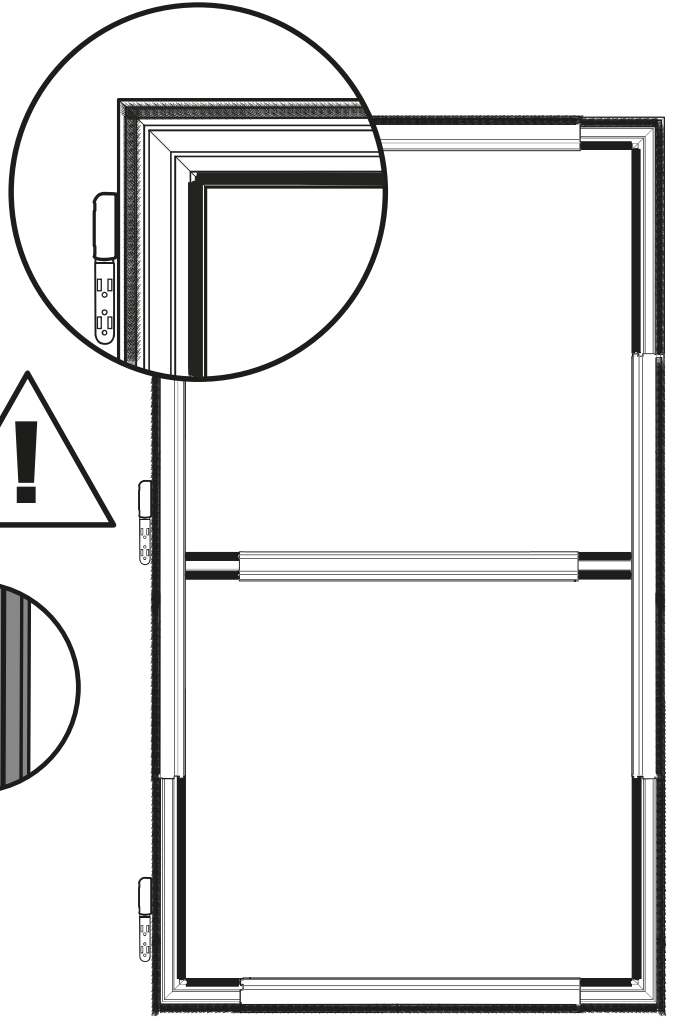
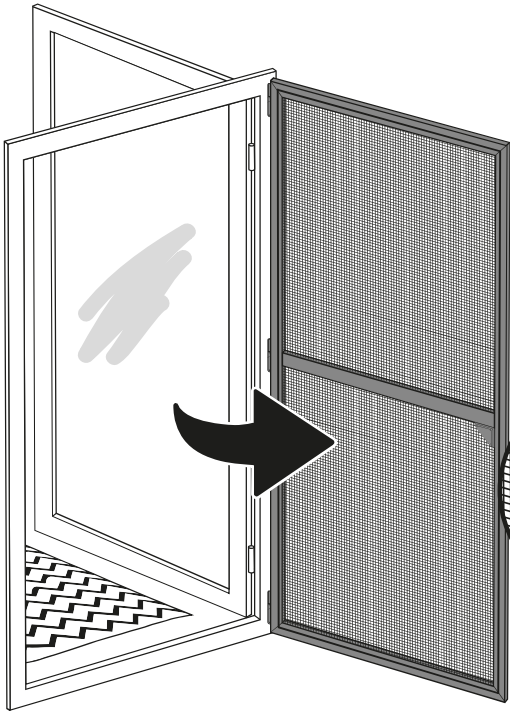


6

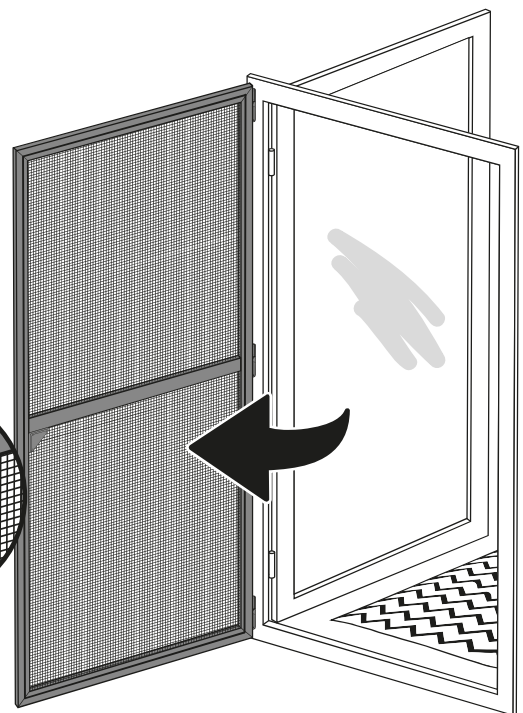
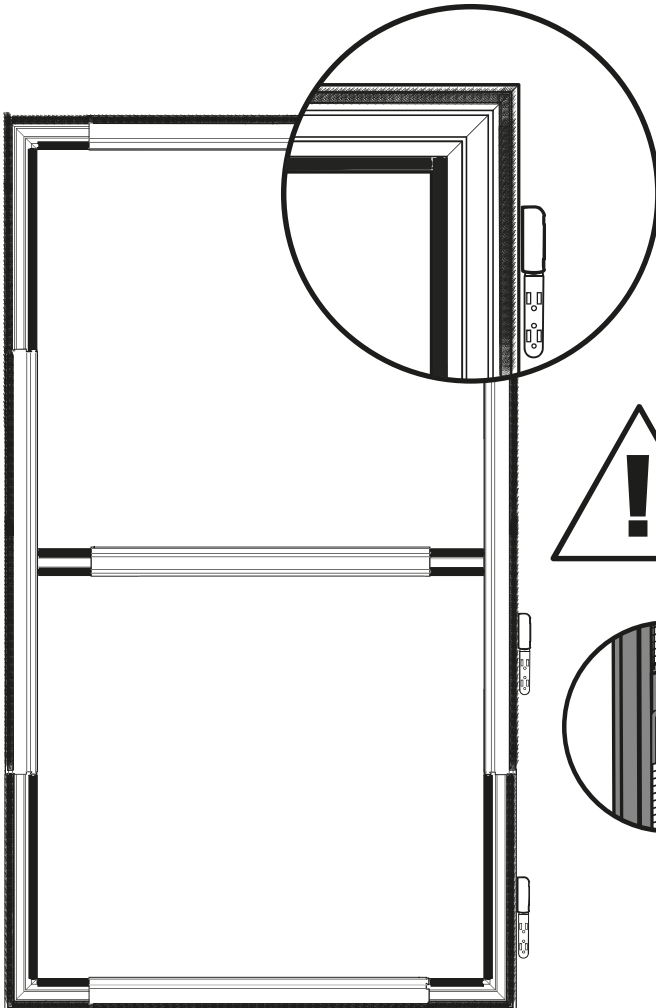


7

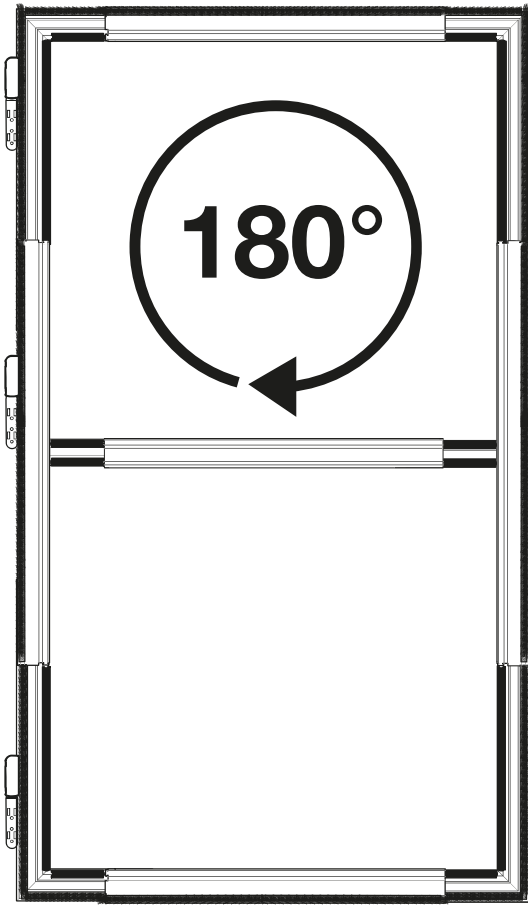
OPT A ✓ → 8



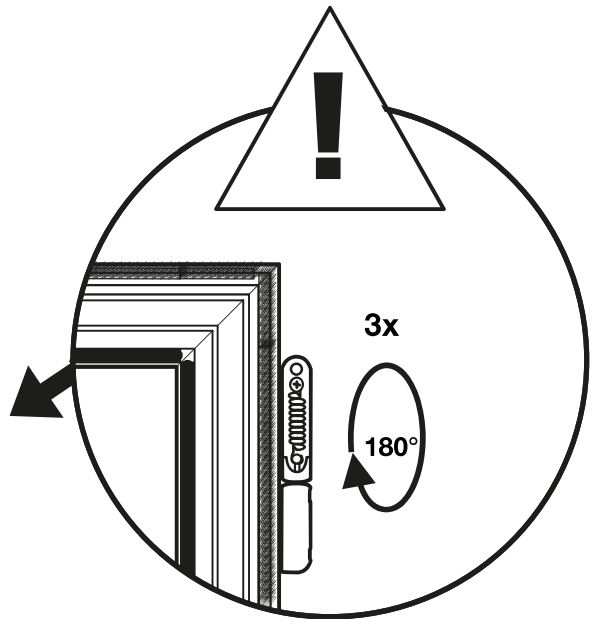
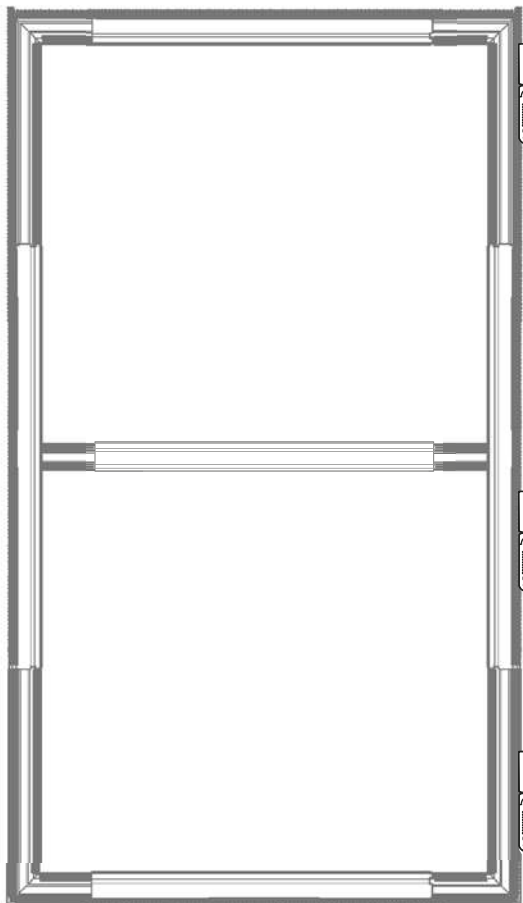
OPT B ✓ → 7a



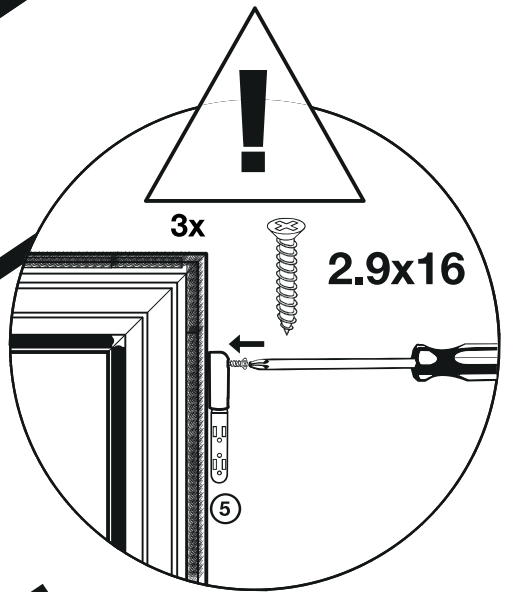
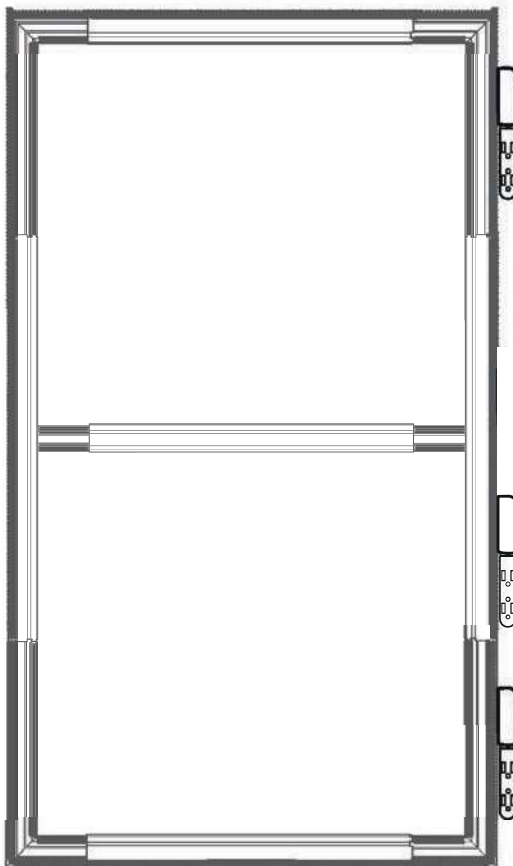
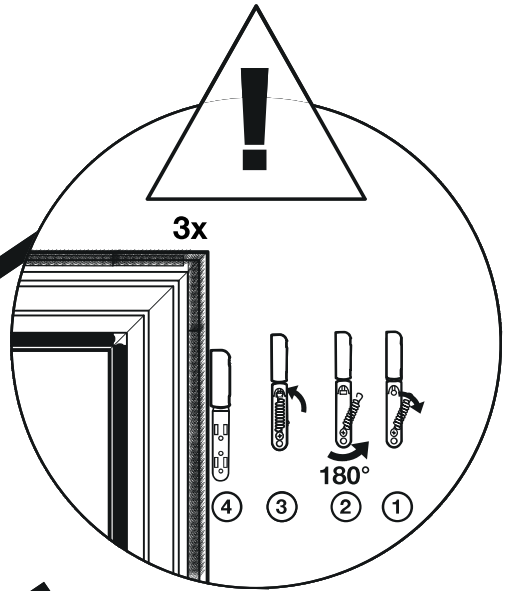
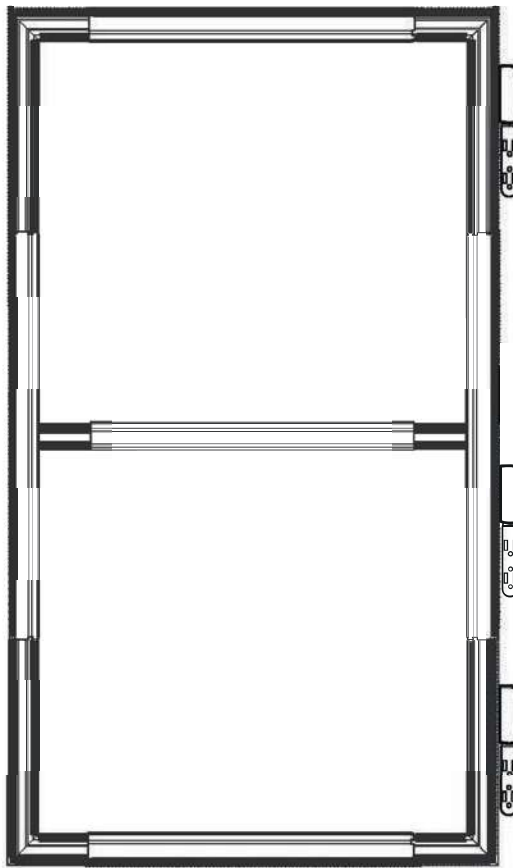
7a



7b

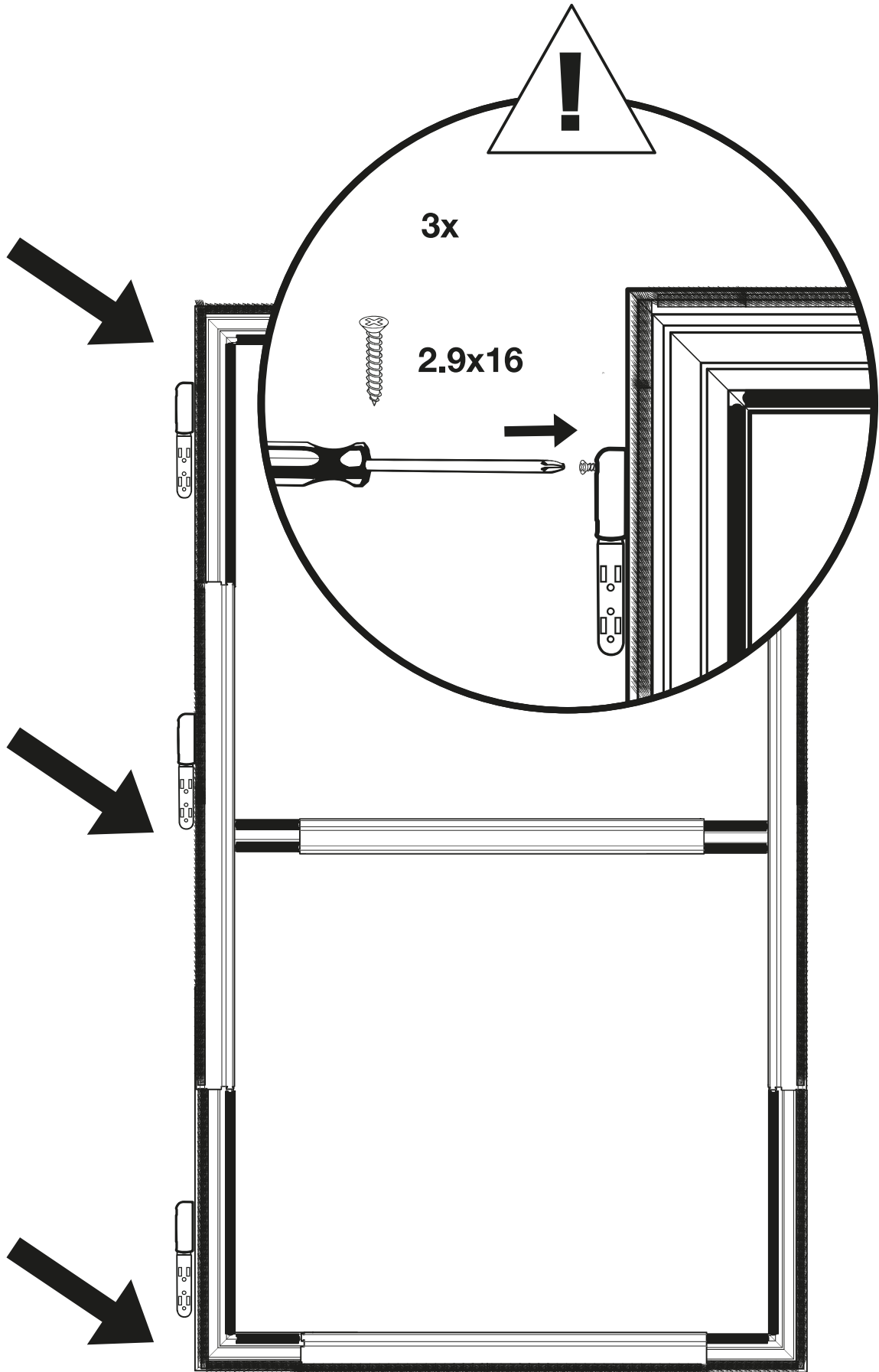


7c



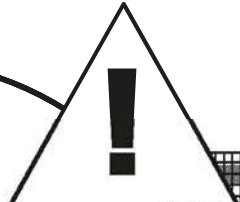
➔ 9

8

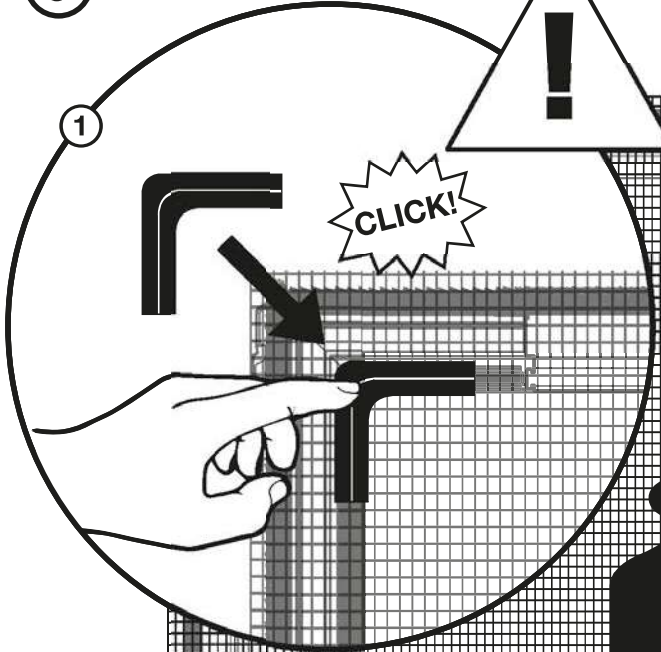


9

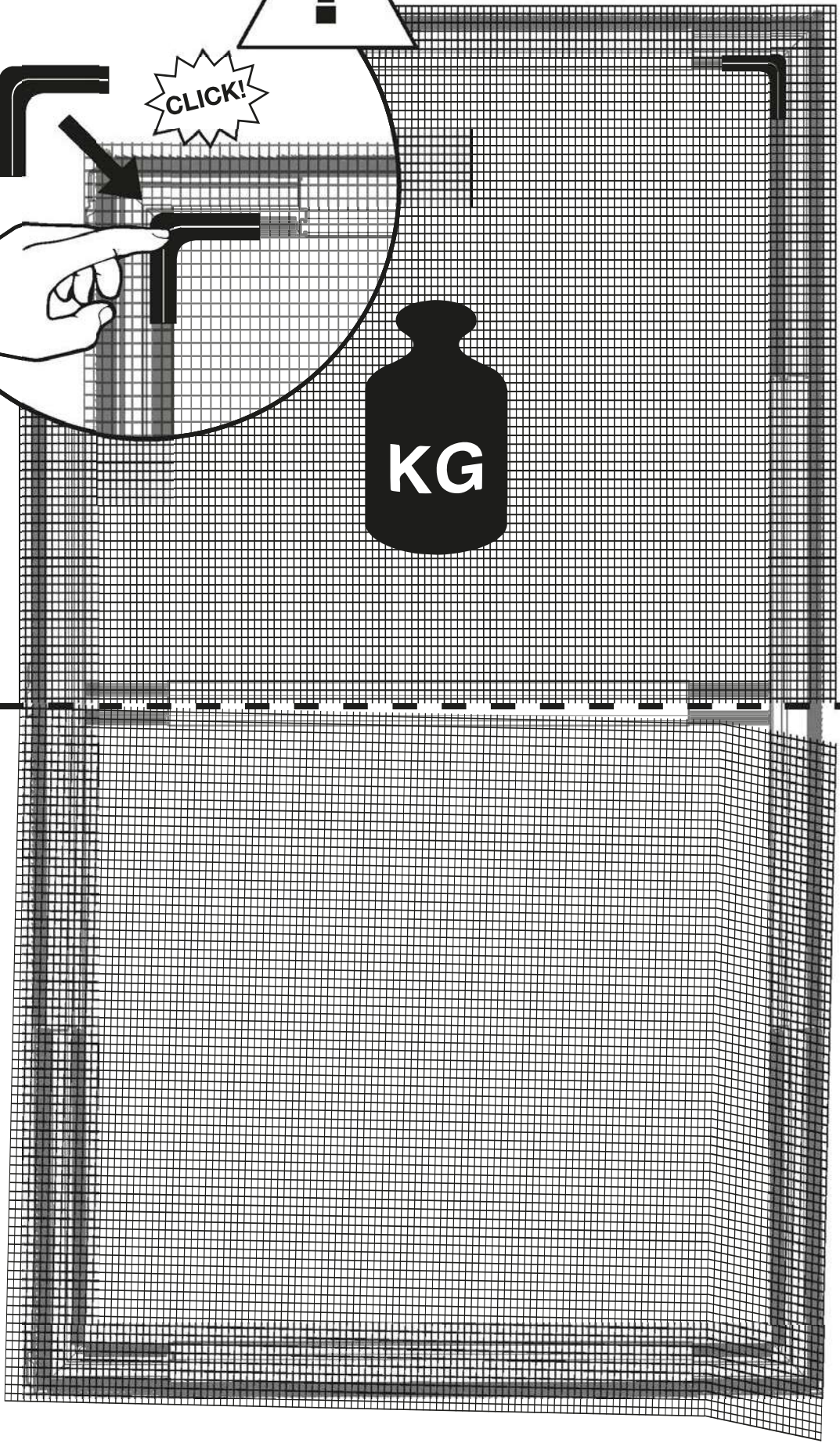
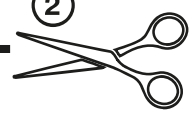
1



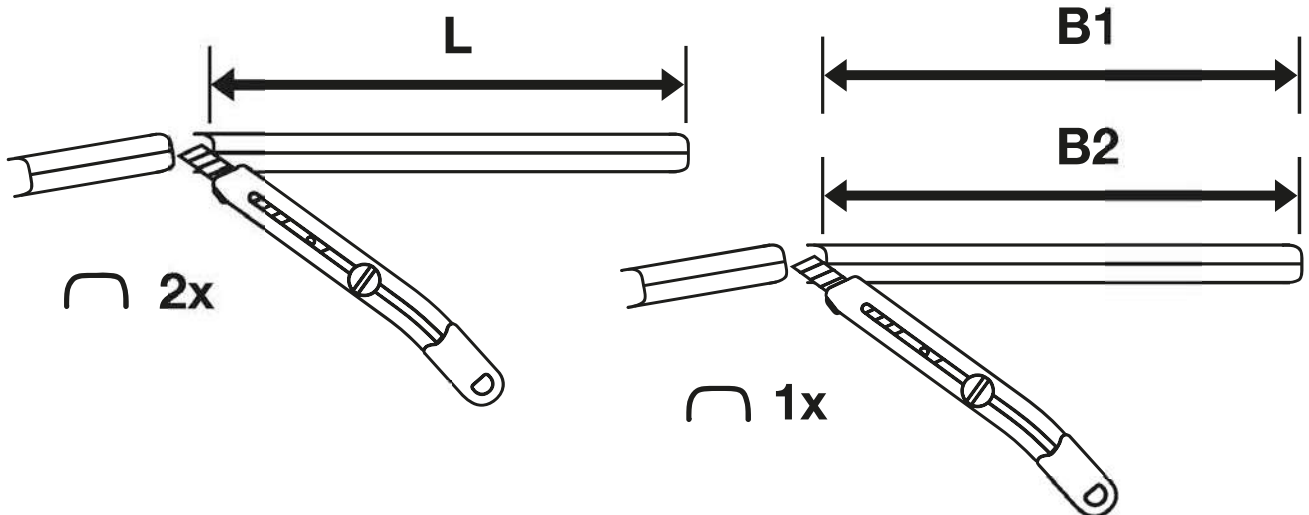
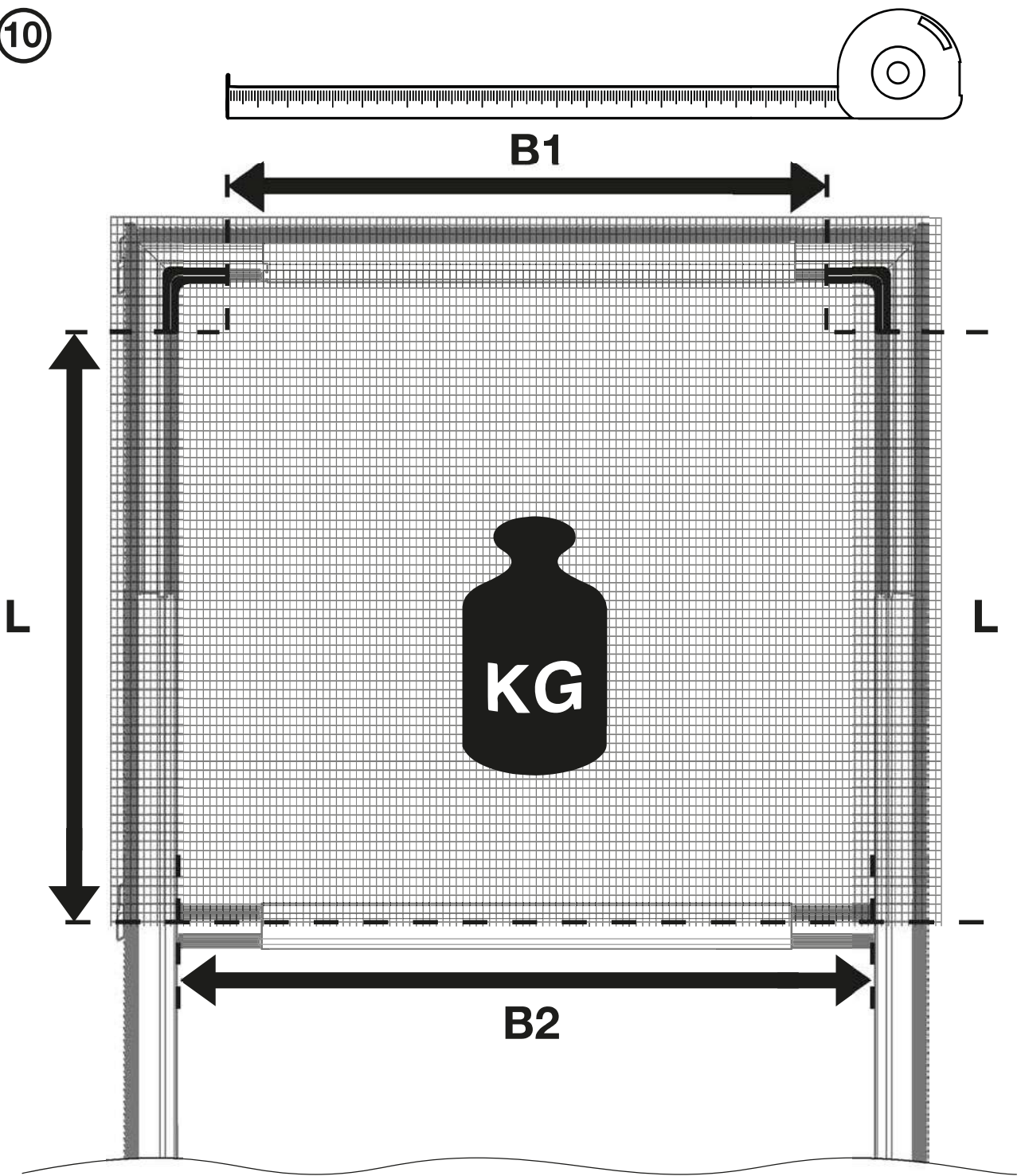
CLICK!



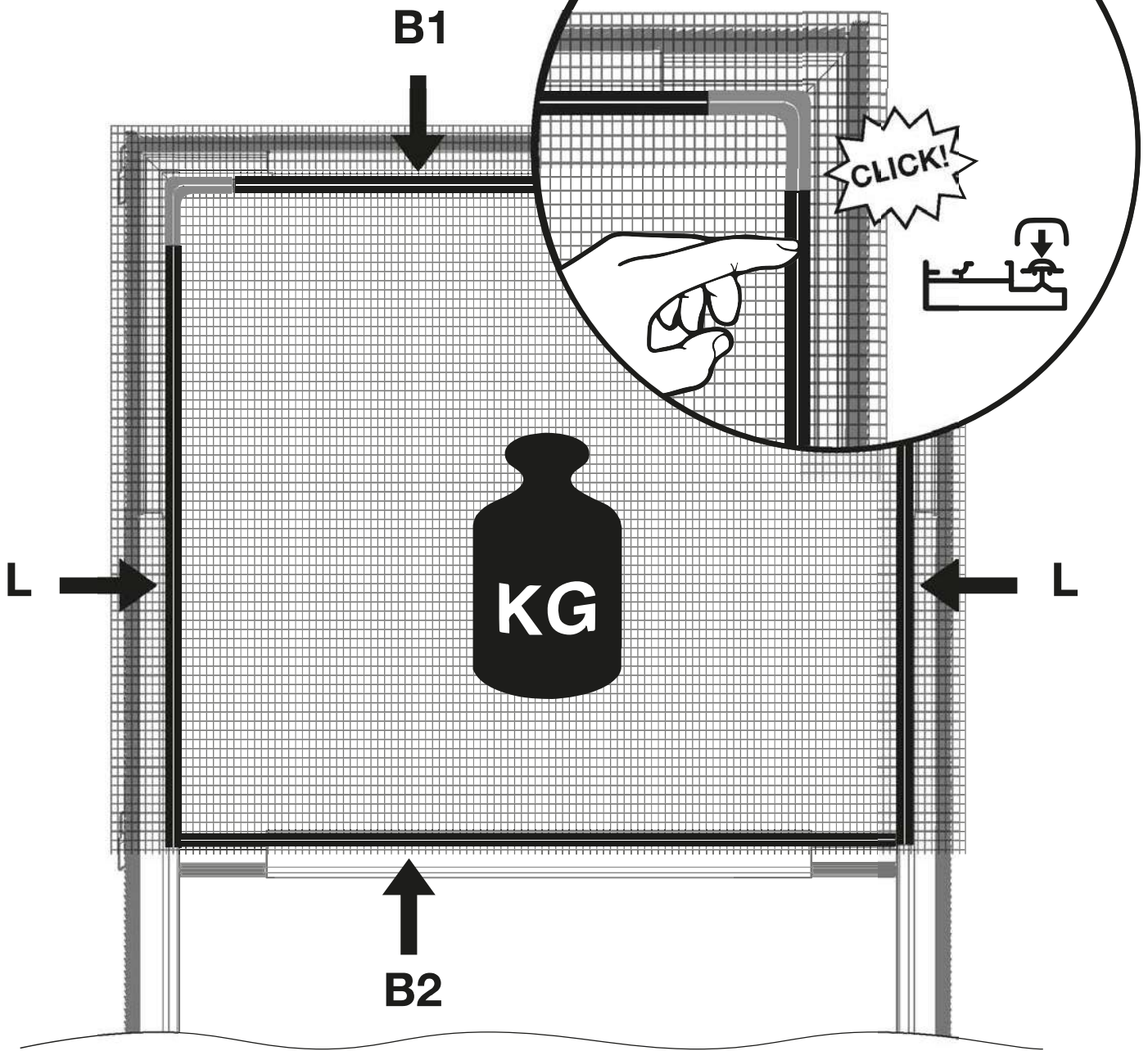
2

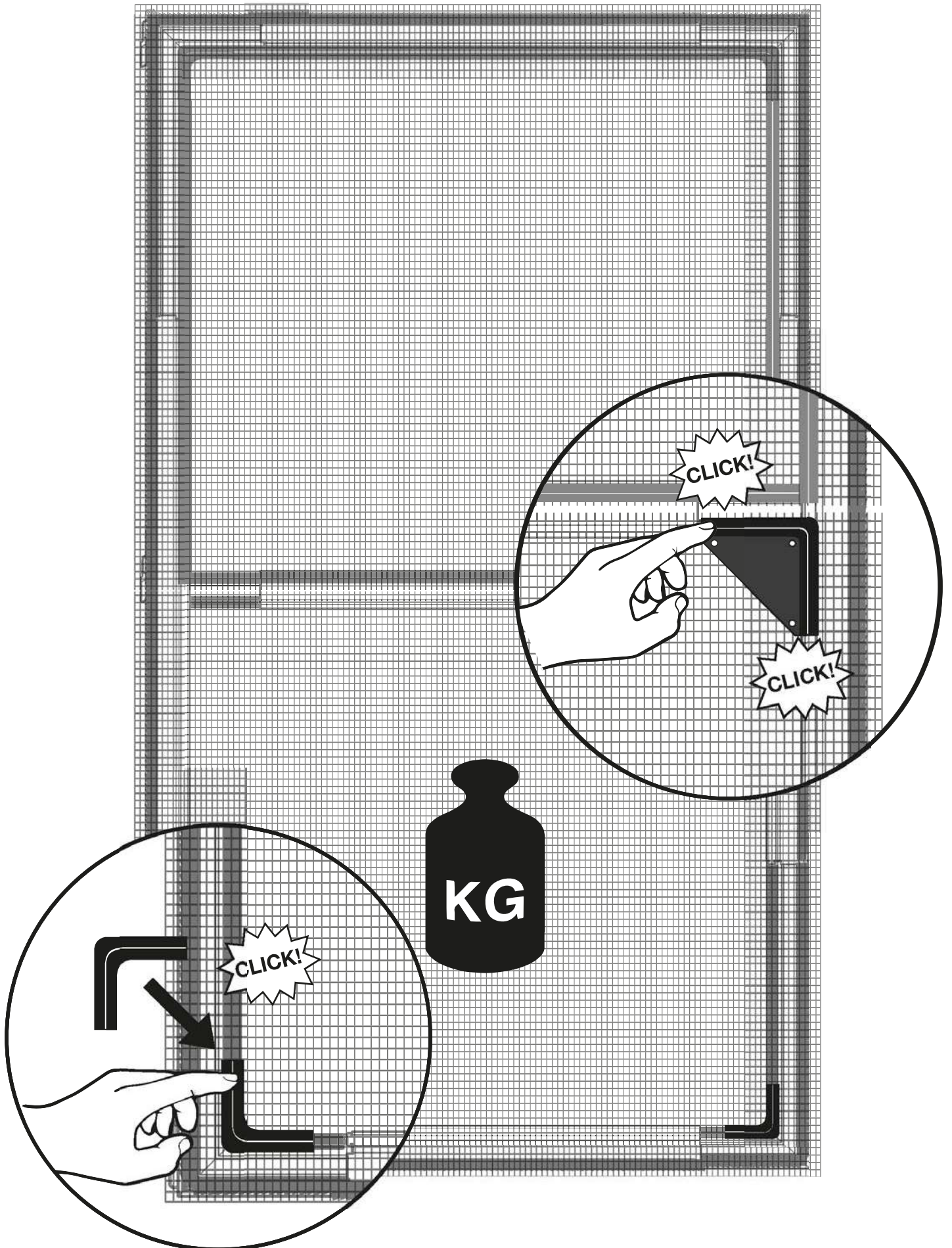


10

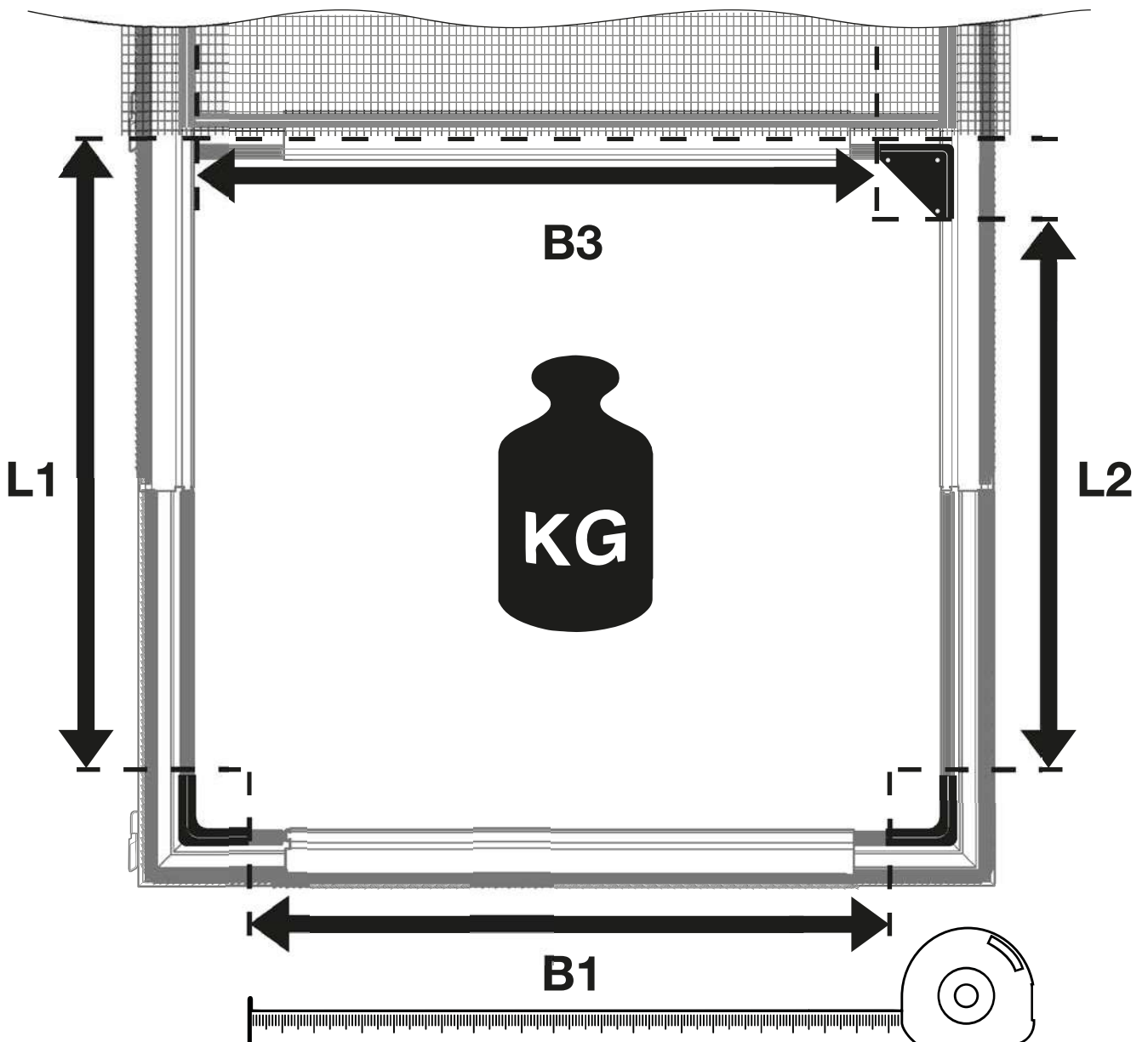
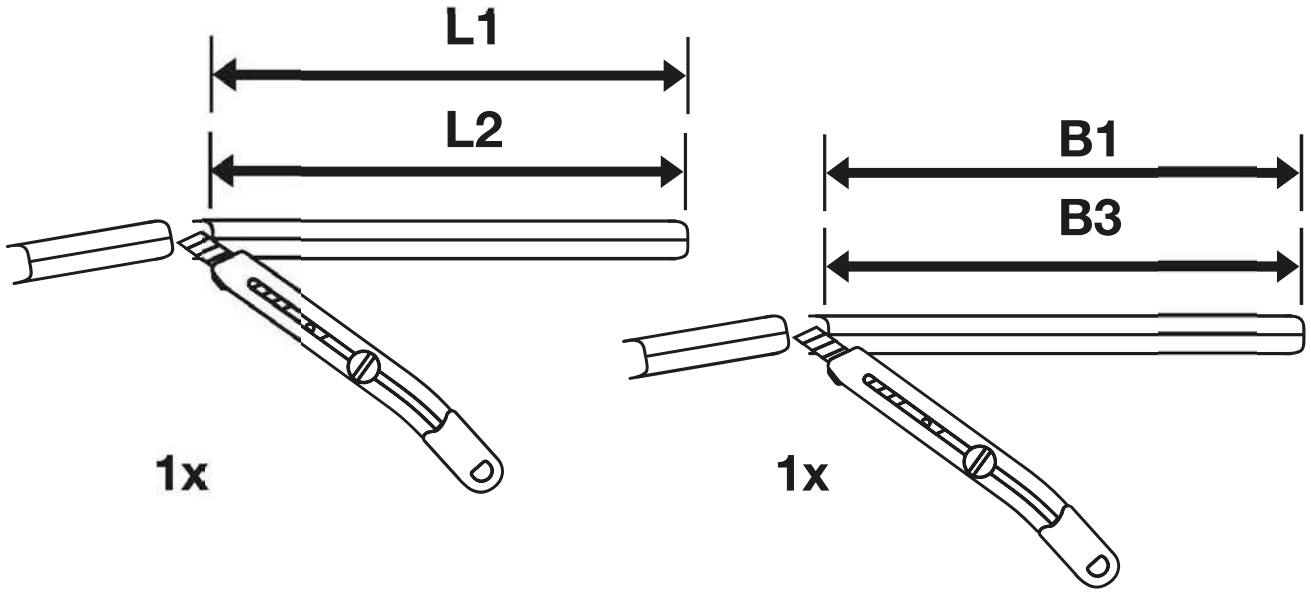


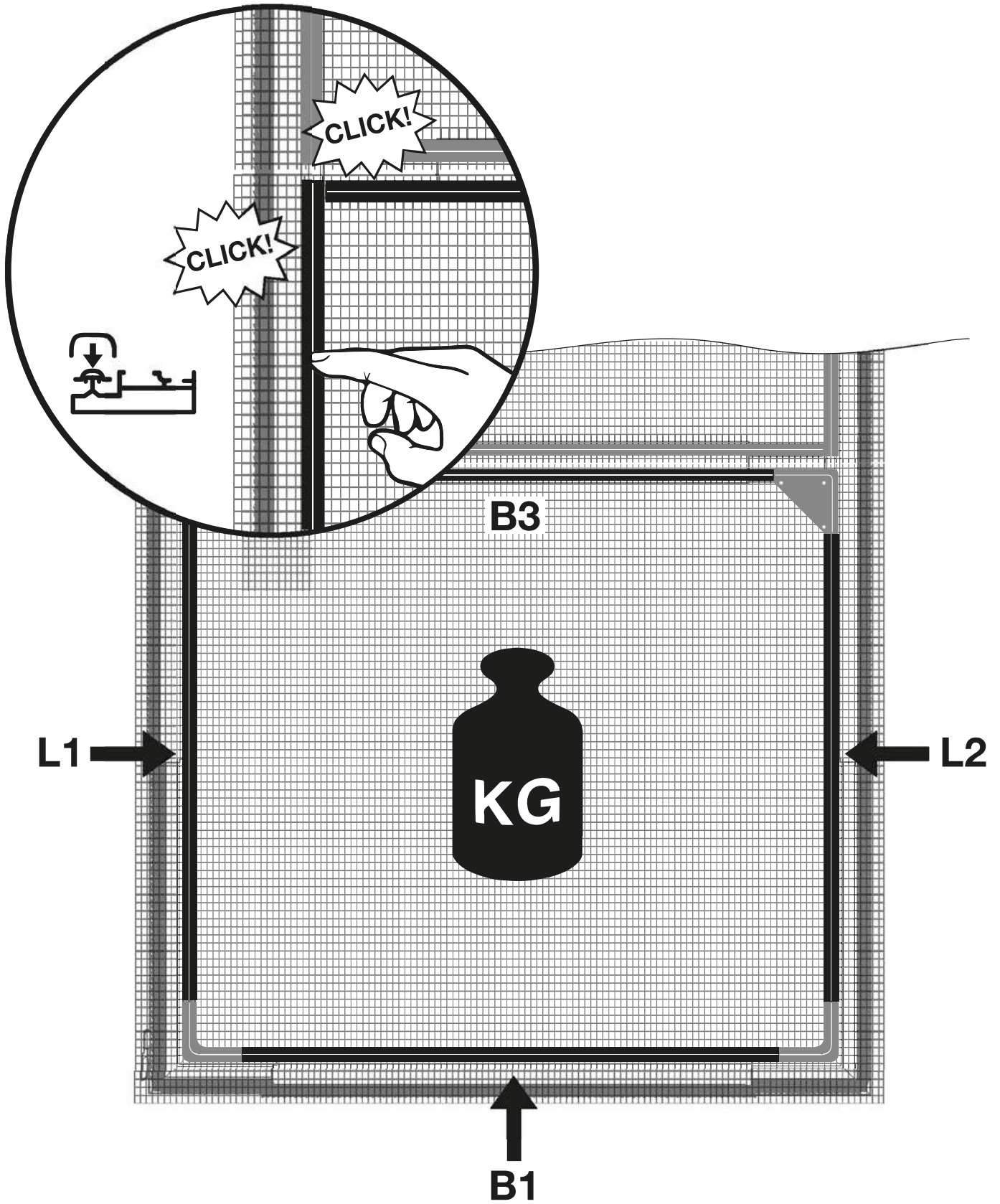
11



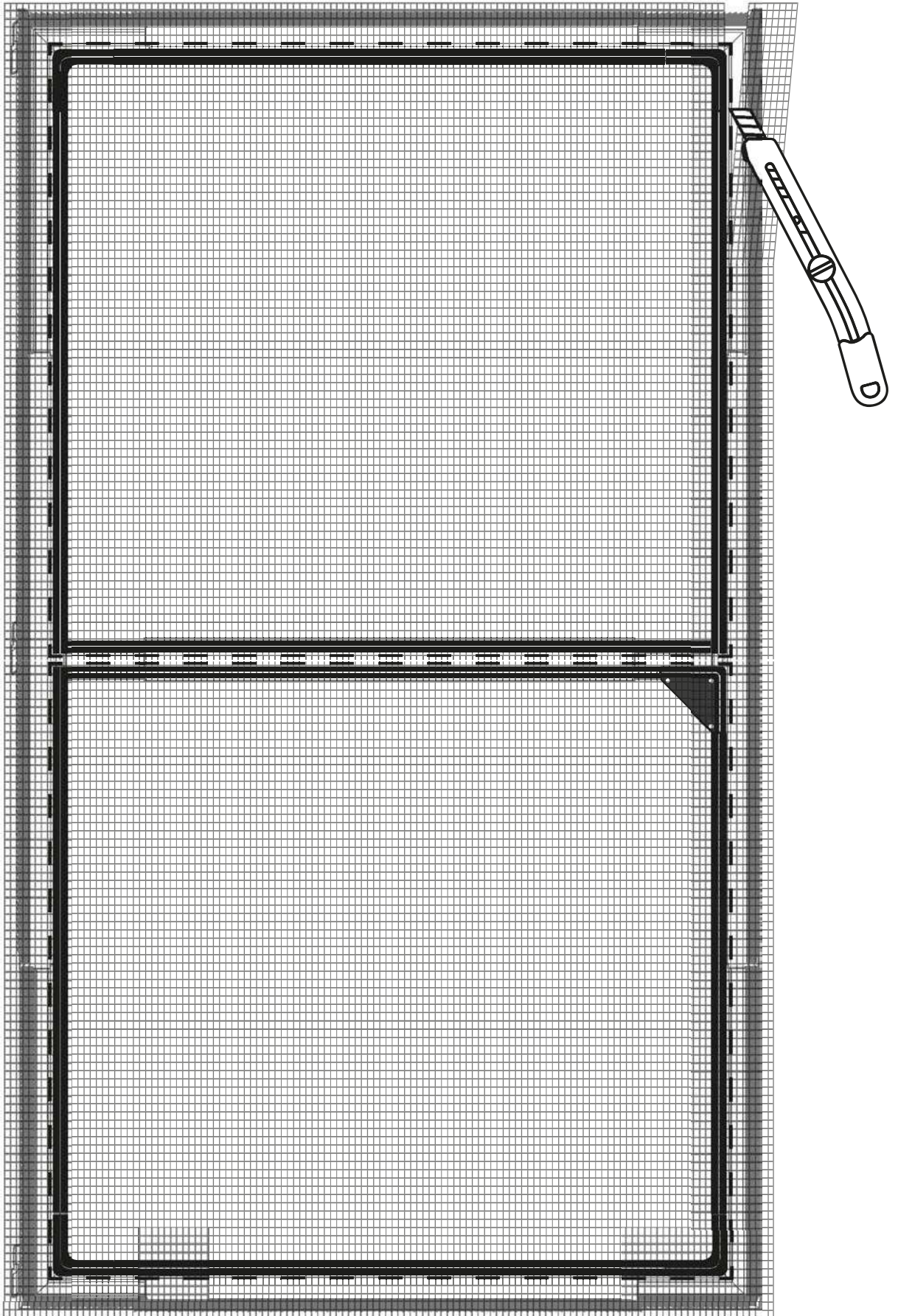


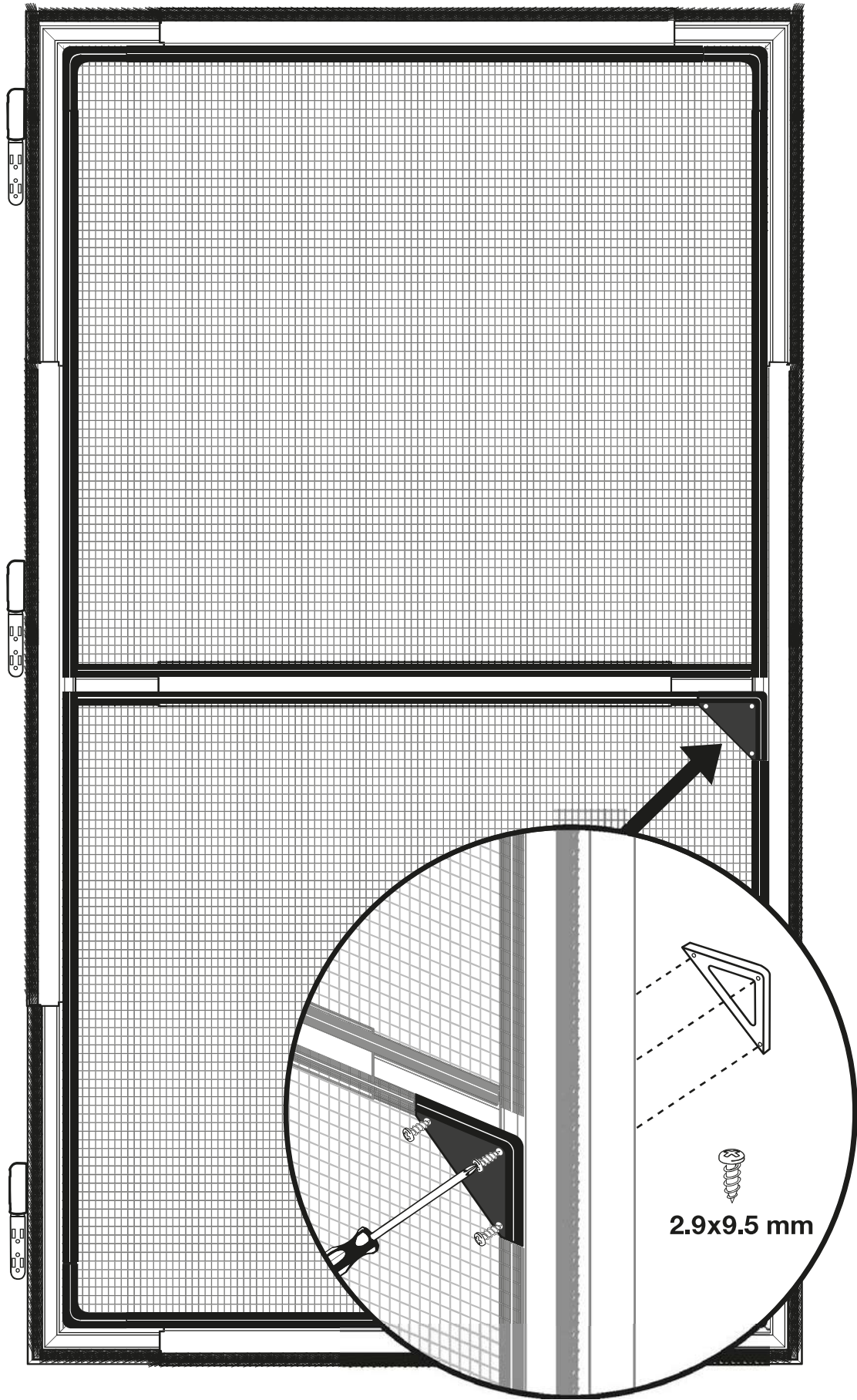
13



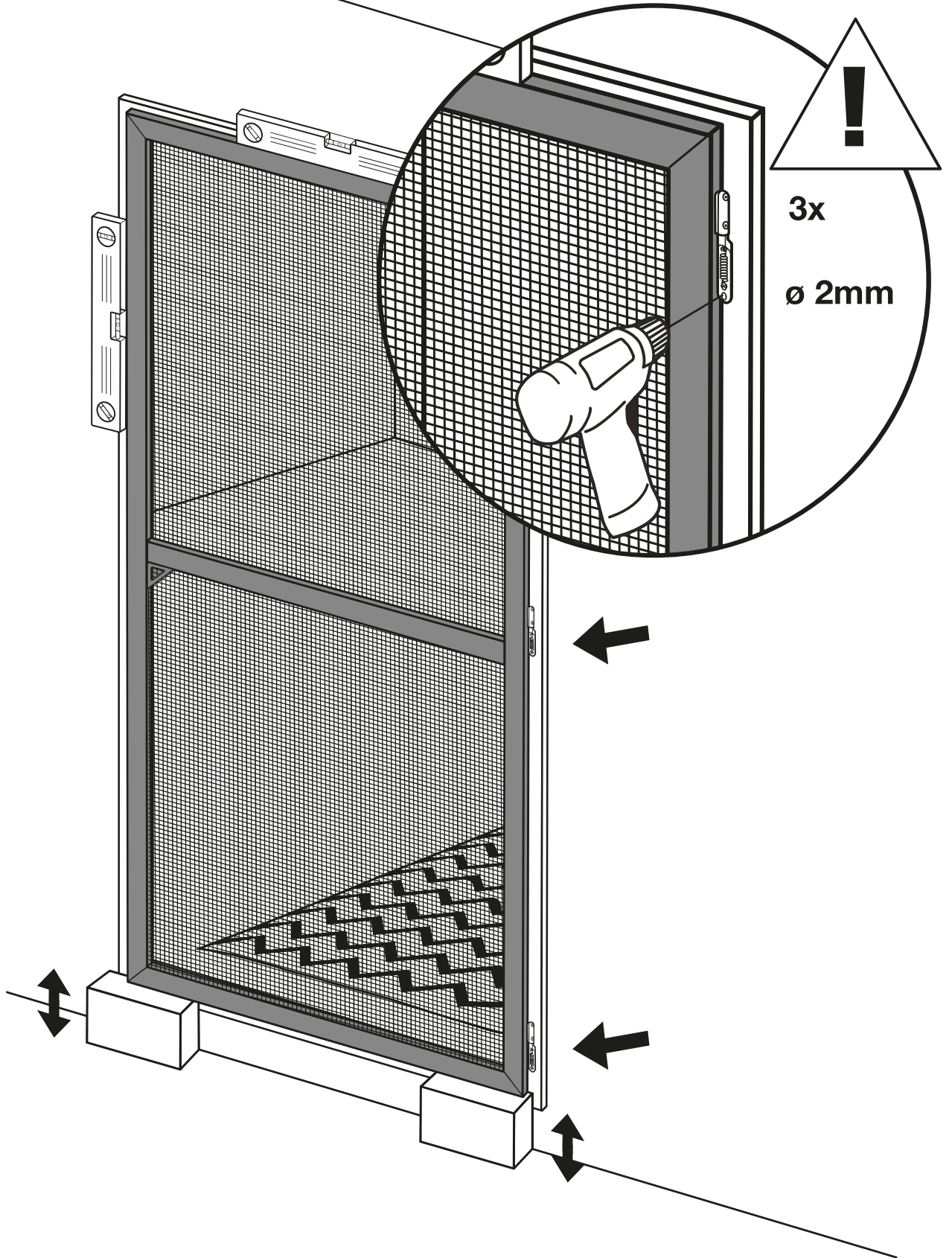


15

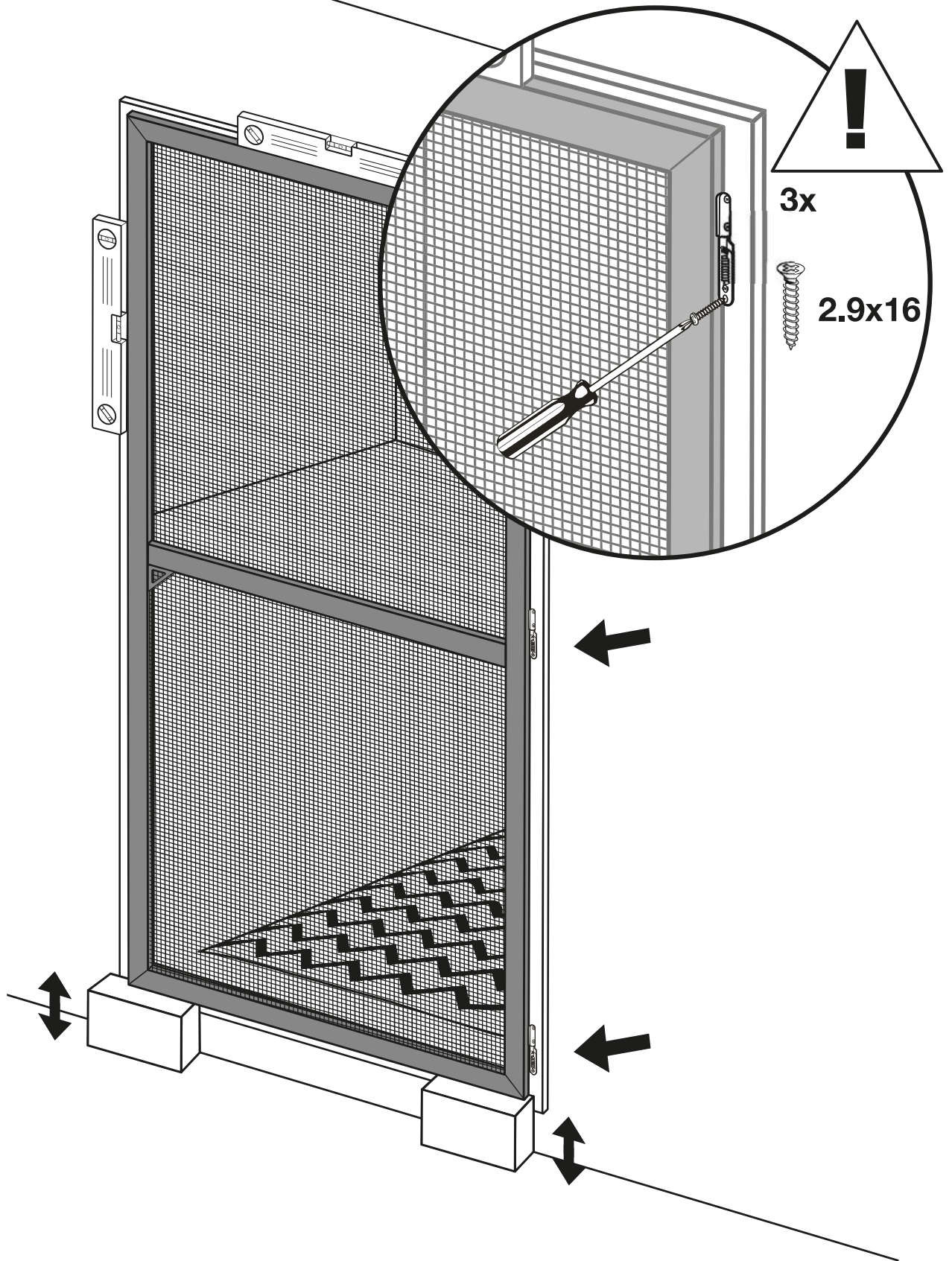




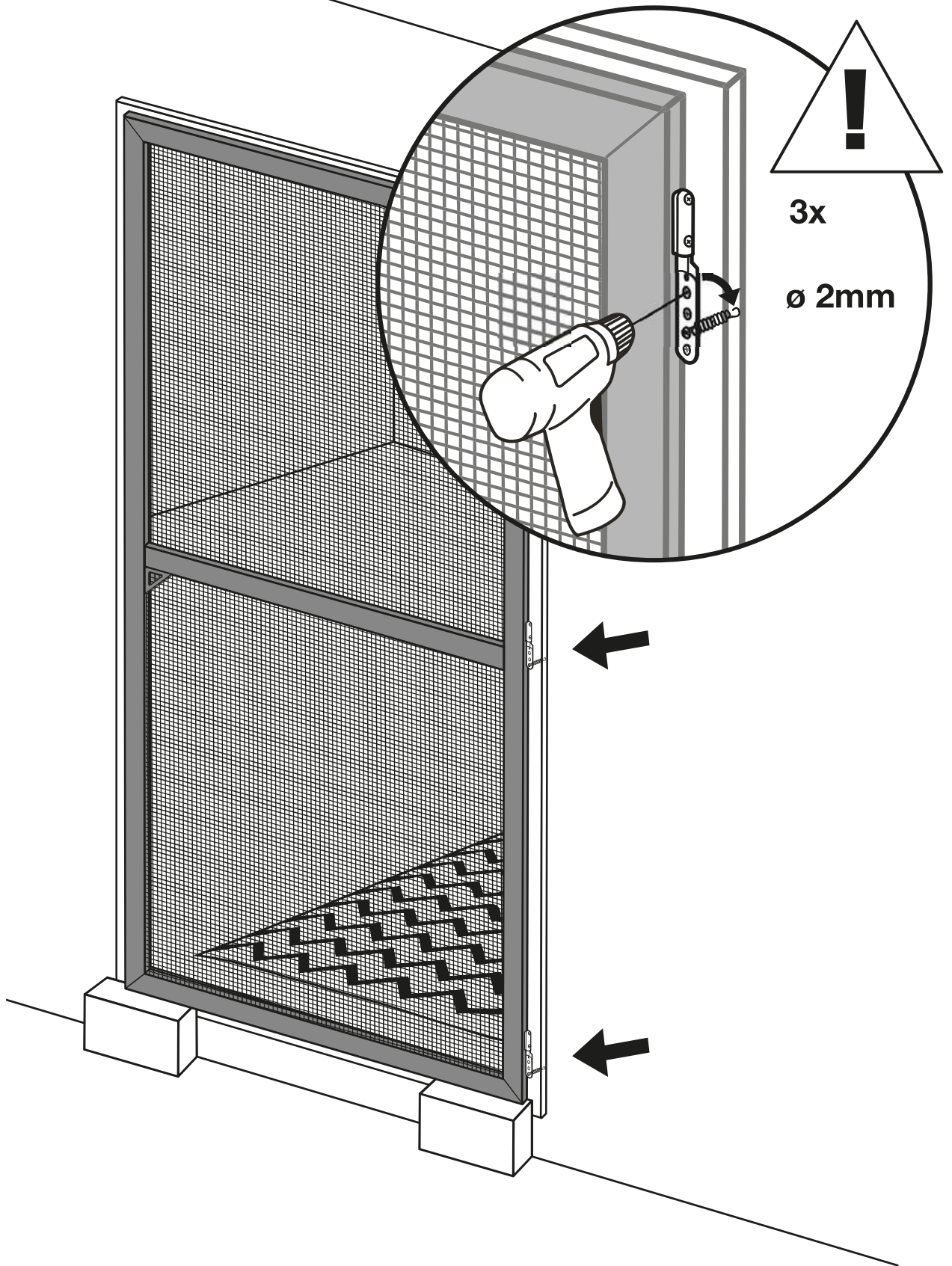
17



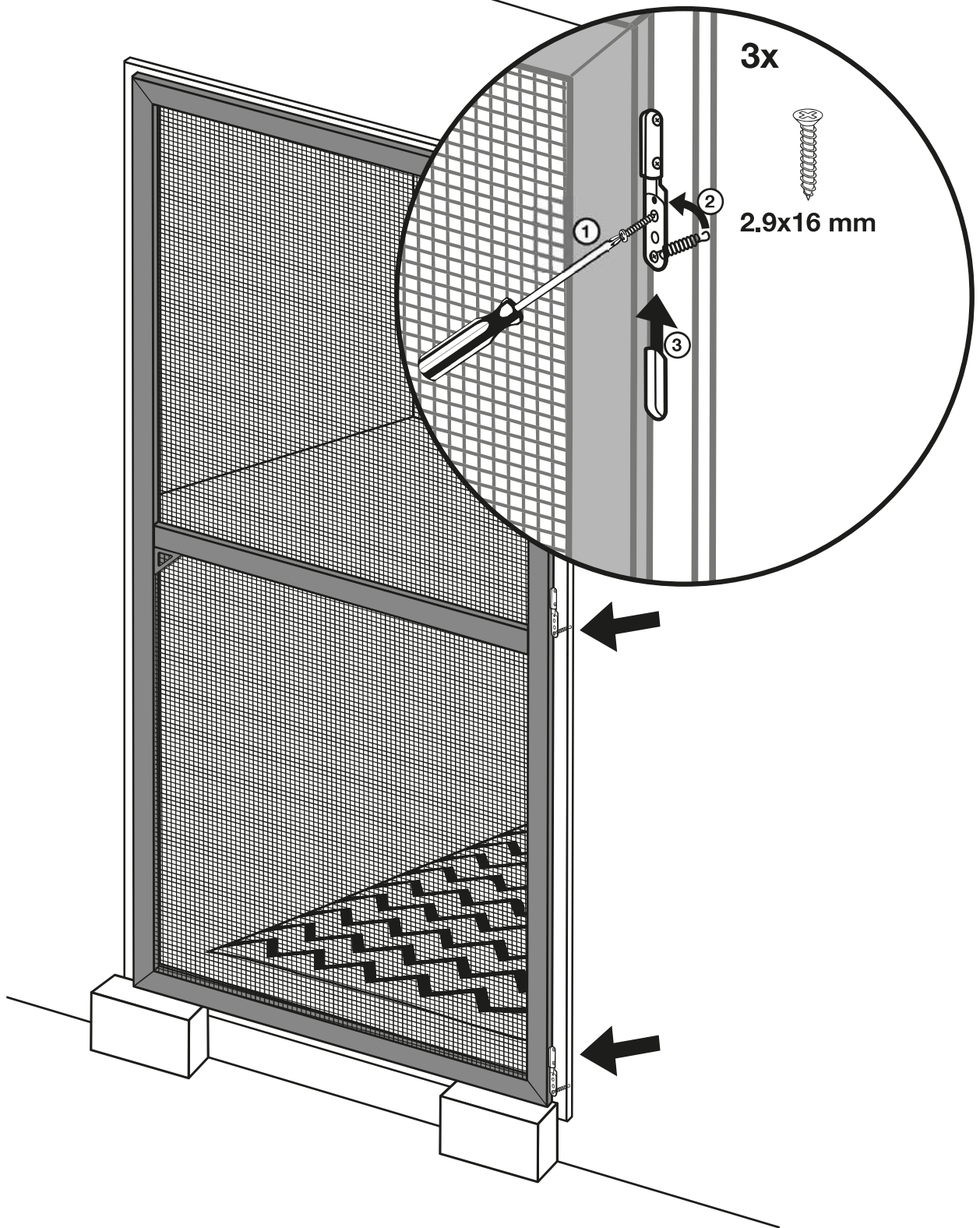
18



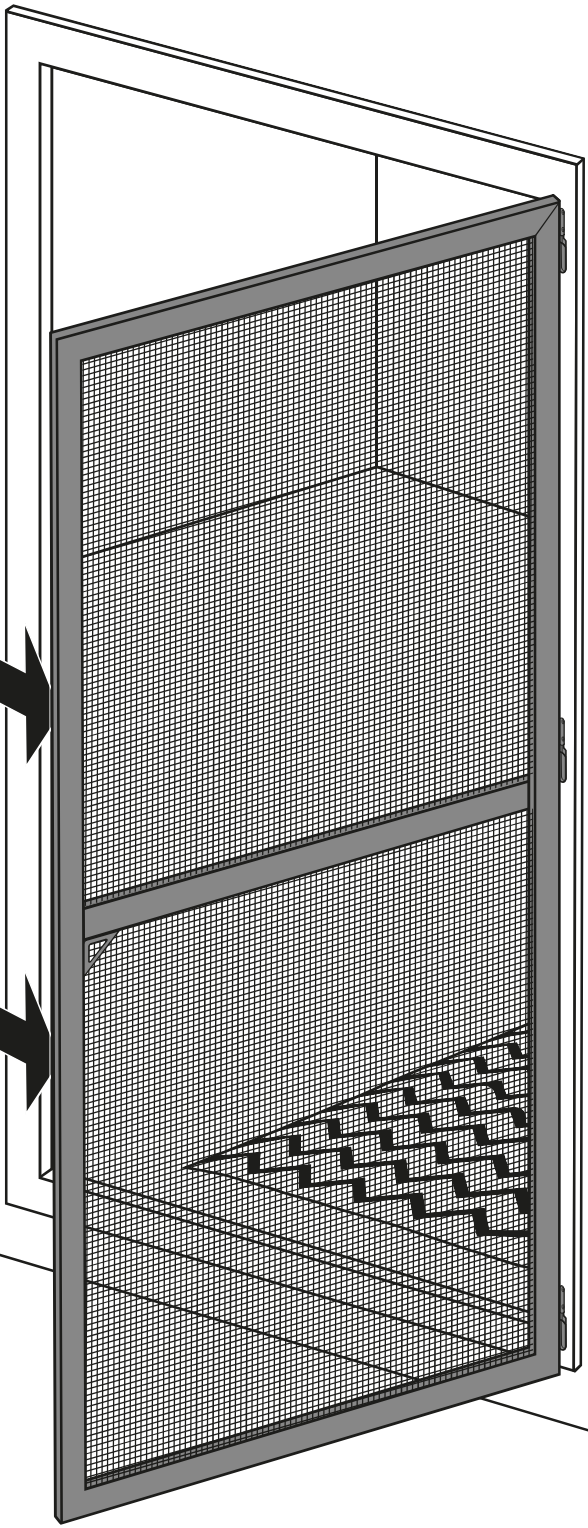
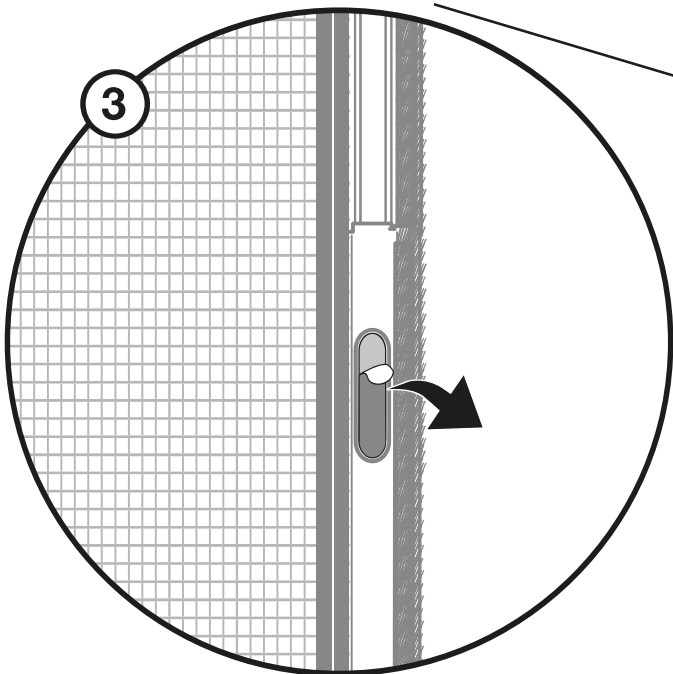
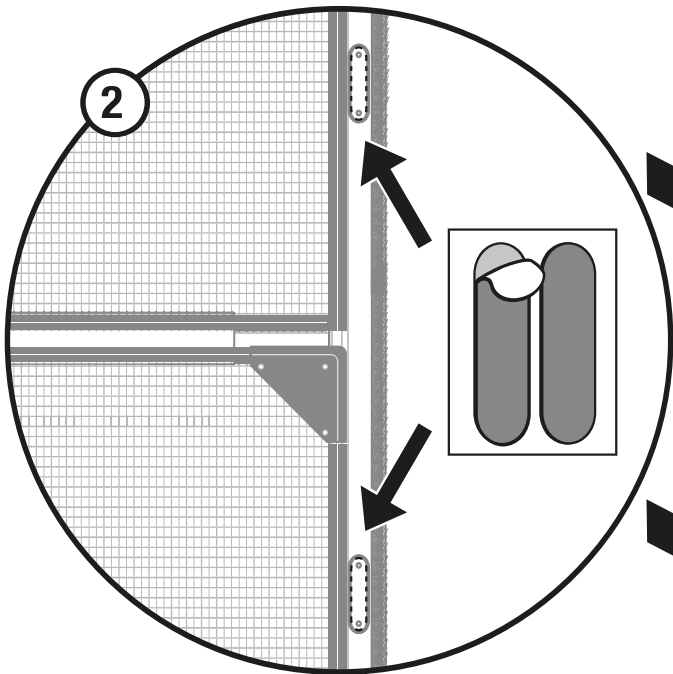
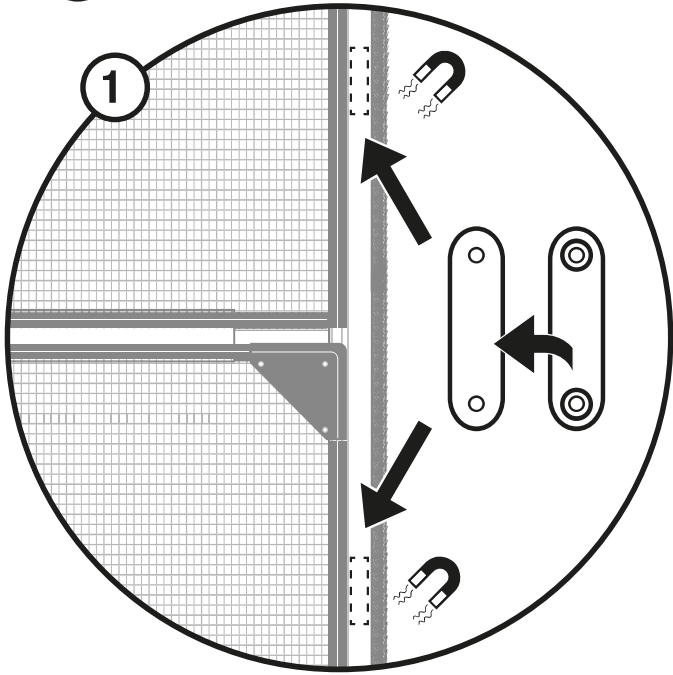
19



20



21



22

